

\*\*\*\*\*  
**INVISIBLE  
DOOR  
SERIES**  
~~~~~

**Concealment:** Invisible doors typically seamlessly integrate with walls or other structures, enhancing the overall aesthetics and sense of space in a room.

**Space-saving:** Since invisible doors do not require space to swing open, they can save indoor space.

**Innovation:** The design of invisible doors requires innovative and precise engineering techniques to ensure smooth operation, safety, and reliability without compromising the stability of the overall architectural structure.

**Aesthetic effect:** Invisible doors are usually designed with elegance, enhancing the quality of interior decoration and imparting a sense of sophistication and style.

**Privacy:** Invisible doors can provide higher levels of privacy.

YX-01



YX-02



YX-03



YX-04

\*\*\*\*\*  
**6 CM DOOR  
 SERIES**  
 ~~~~~

**NEW DESIGN  
 6CM DOOR SHUTTER**

Improved soundproofing.  
 Higher stability and  
 reduced risk of  
 deformation  
 Can make taller  
 shutter as well



6PZ-1



6PZ-2

6PZ-3

6PZ-4

6PZ-5



PTM-02



PTM-03



PTM-04

\*\*\*\*\*  
**FLAT PANEL  
SERIES**  
آرکادیا



PTM-05



PTM-06



PTM-07



PTM-08

\*\*\*\*\*  
FLAT PANEL  
SERIES  
\*\*\*\*\*



PTM-09



PTM-10



PTM-11



PTM-12

\*\*\*\*\*  
FLAT PANEL  
SERIES  
Aosh



GT-01



GT-02



GT-03



GT-04

\*\*\*\*\*  
FLAT METAL  
STRIP SERIES  
دور



GT-05



GT-06



GT-07



GT-08

\*\*\*\*\*  
FLAT METAL  
STRIP SERIES  
Aosh



GT-09



GT-10

GT-11

GT-12

GT-13

\*\*\*\*\*  
SPLICE AND  
INLAY SERIES





\*\*\*\*\*  
SPICE AND  
INLAY SERIES  
\*\*\*\*\*



GT-14



GT-15



GT-16



GT-17



GT-18



GT-19



GT-20



GT-21

\*\*\*\*\*  
SPICE AND  
INLAY SERIES  
\*\*\*\*\*



PZ-01



PZ-02



PZ-03



PZ-04

\*\*\*\*\*  
ASSEMBLING  
SERIES  
Aesth



PZ-05



PZ-06



PZ-07



PZ-08



PZ-09



PZ-10



PZ-11



\*\*\*\*\*  
ASSEMBLING  
SERIES



PZL-01

\*\*\*\*\*  
ASSEMBLED  
GLASS SERIES  
Aesop



PZL-02



PZL-03



PZL-04



PZL-05



XP-02

XP-03

XP-04

XP-05

XP-06

\*\*\*\*\*  
MILLING  
SERIES  
\*\*\*\*\*

\*\*\*\*\*  
MILLING  
SERIES  
\*\*\*\*\*



XP-07

XP-08

XP-09

XP-10

XP-11



XP-12

XP-13

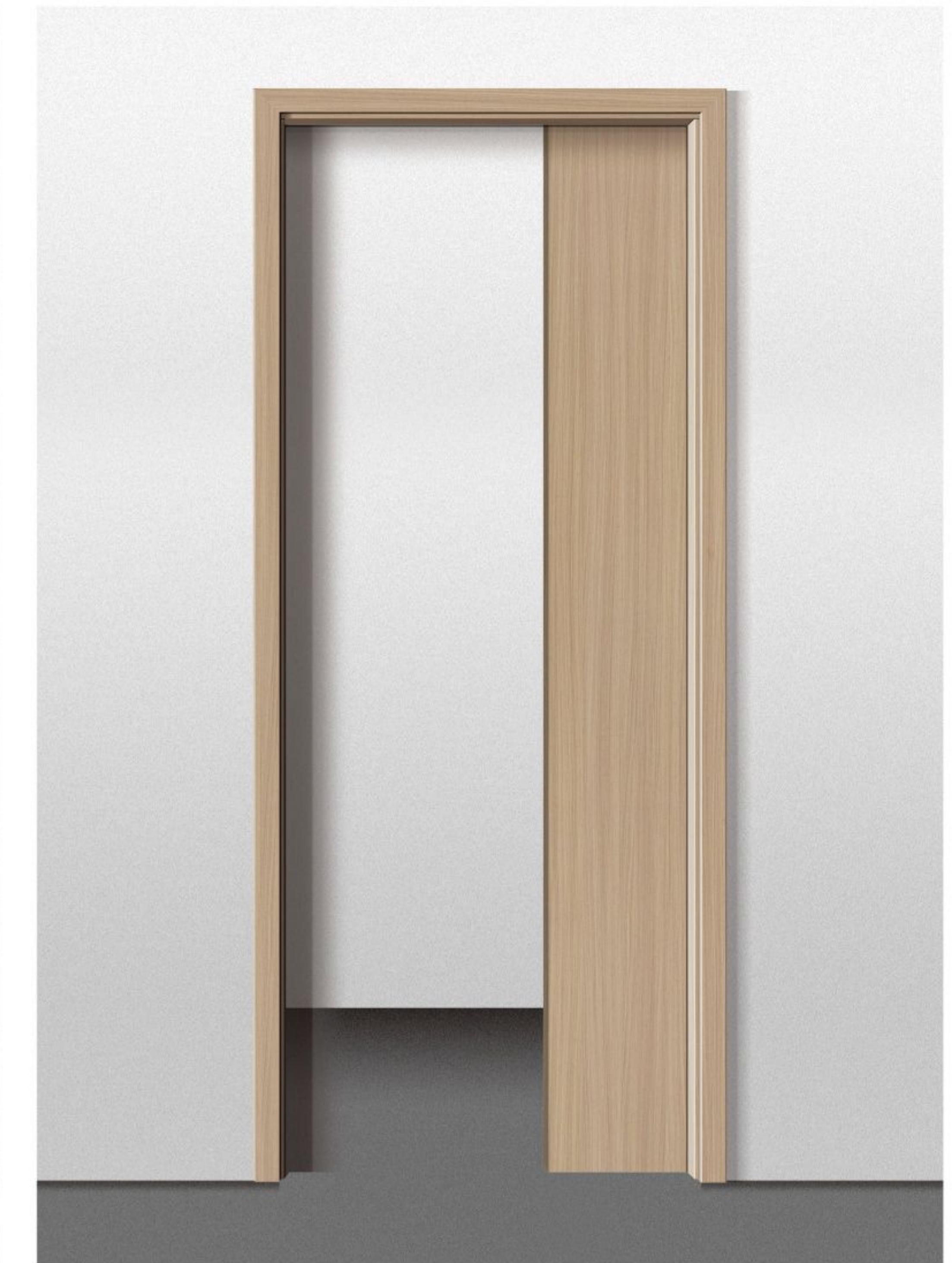
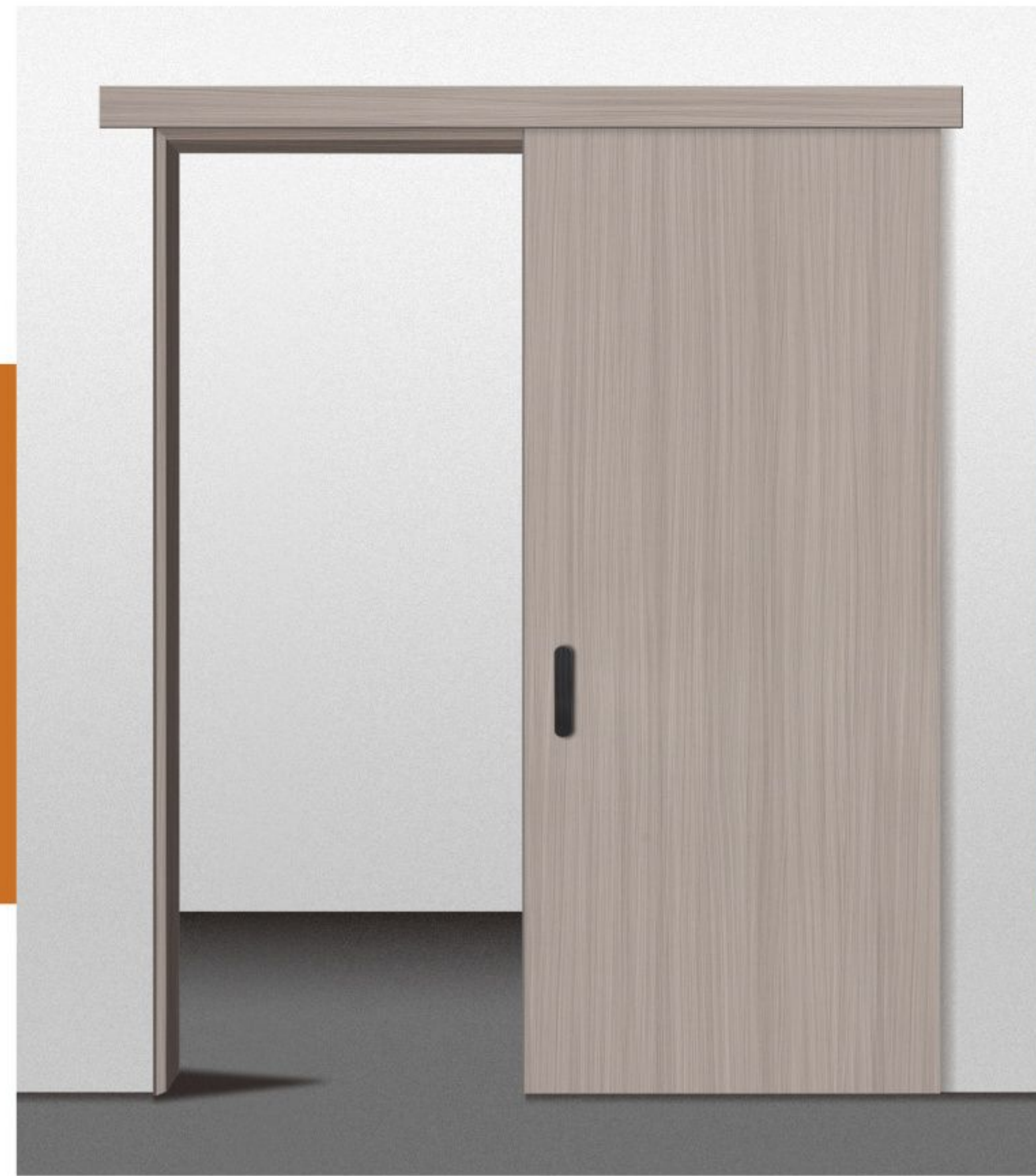
XP-14

XP-15

XP-16

\*\*\*\*\*  
MILLING  
SERIES  
\*\*\*\*\*

exterior wall-  
mounted sliding door



inside wall-  
mounted sliding door

between wall-  
mounted sliding door

\*\*\*\*\*  
A NON-  
STANDARD  
DOOR  
~~~~~

\*\*\*\*\*  
SELECTIVE  
COLOR  
~~~~~



Door Founder arch  
TL-01



Door round arch  
TL-02



Mother and Son Door  
TL-03



Folio door  
TL-04



1



2 (Transversal stripe)



3



4



5



6



7



8



9



10



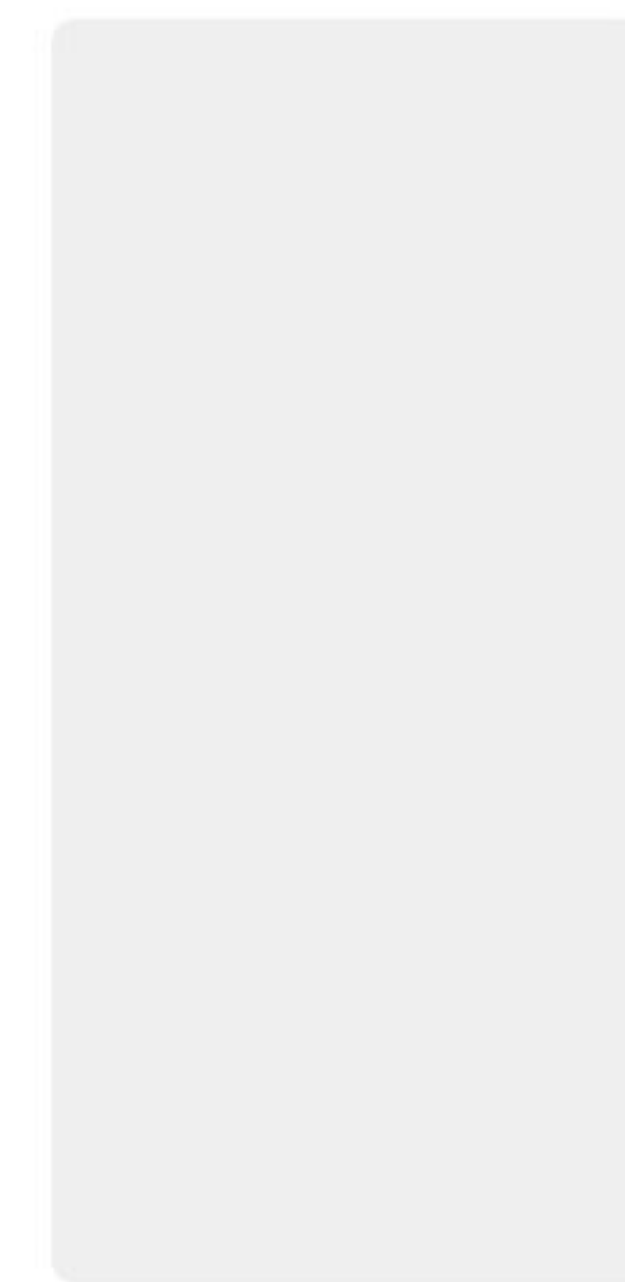
11



12



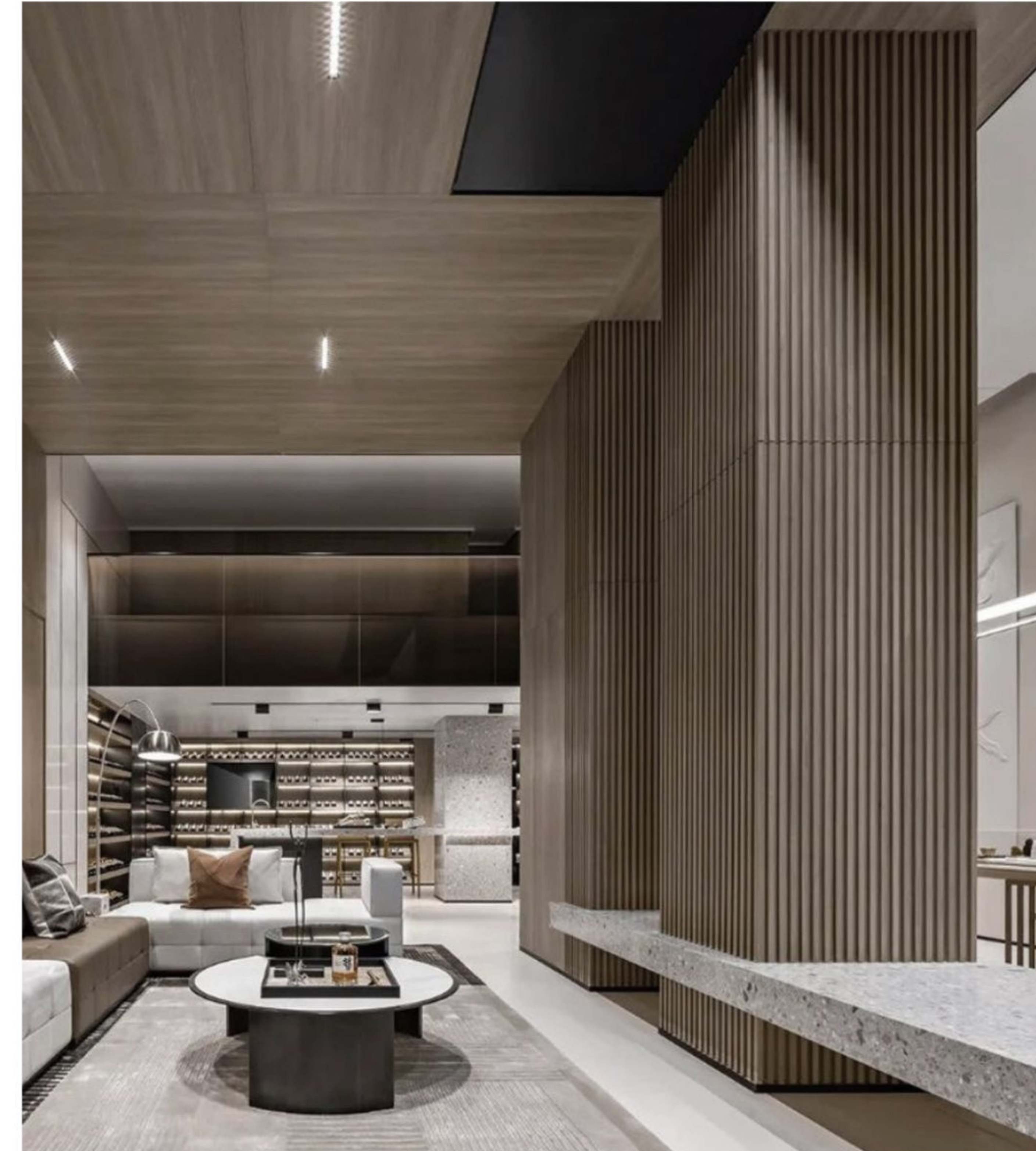
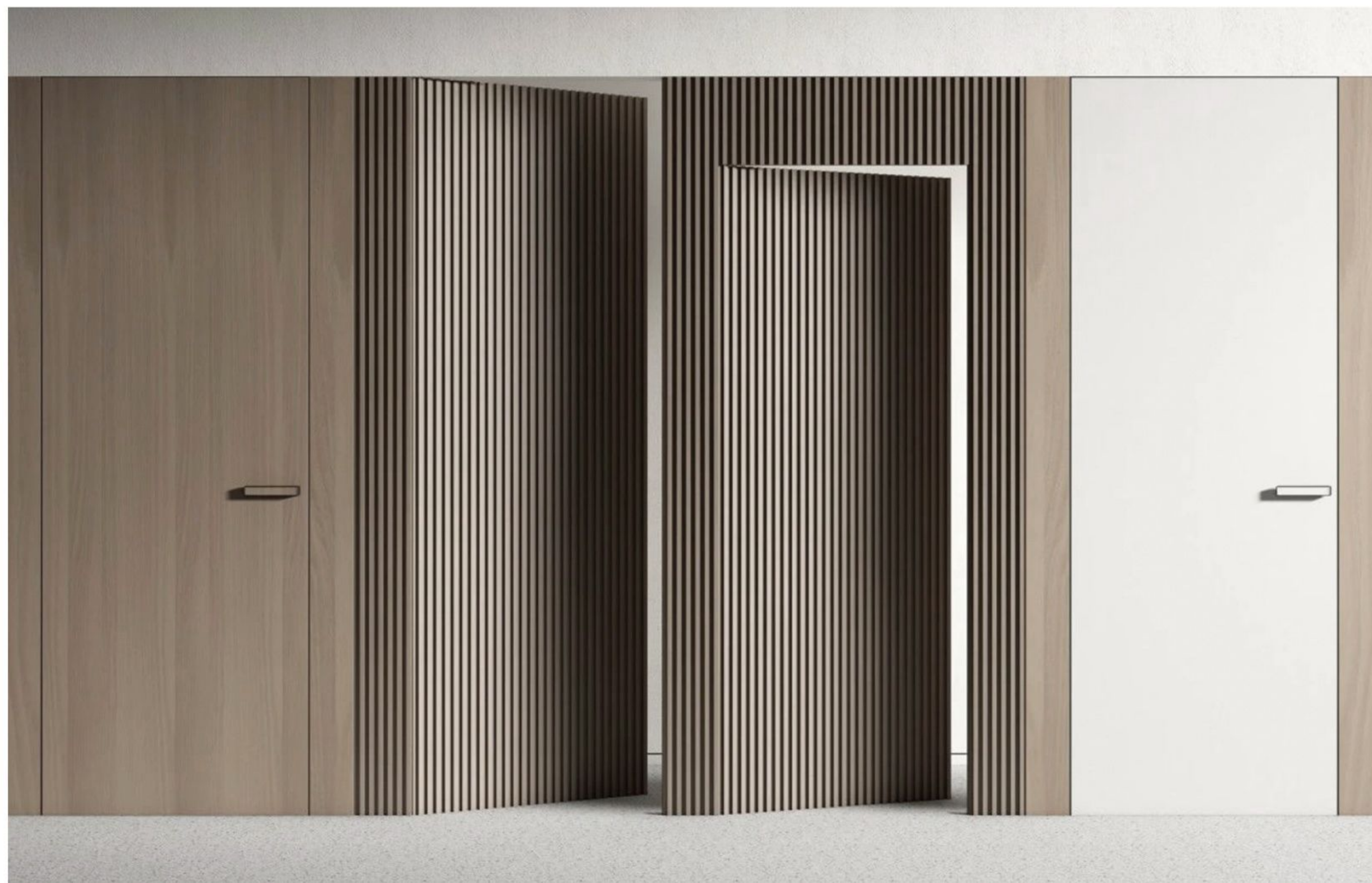
13



14



\*\*\*\*\*  
**GRILLE  
 SERIES**  
 ريش



WPC-01



WPC-02



WPC-03



WPC-04



WPC-05



WPC-06



WPC-07



WPC-08



WPC-09



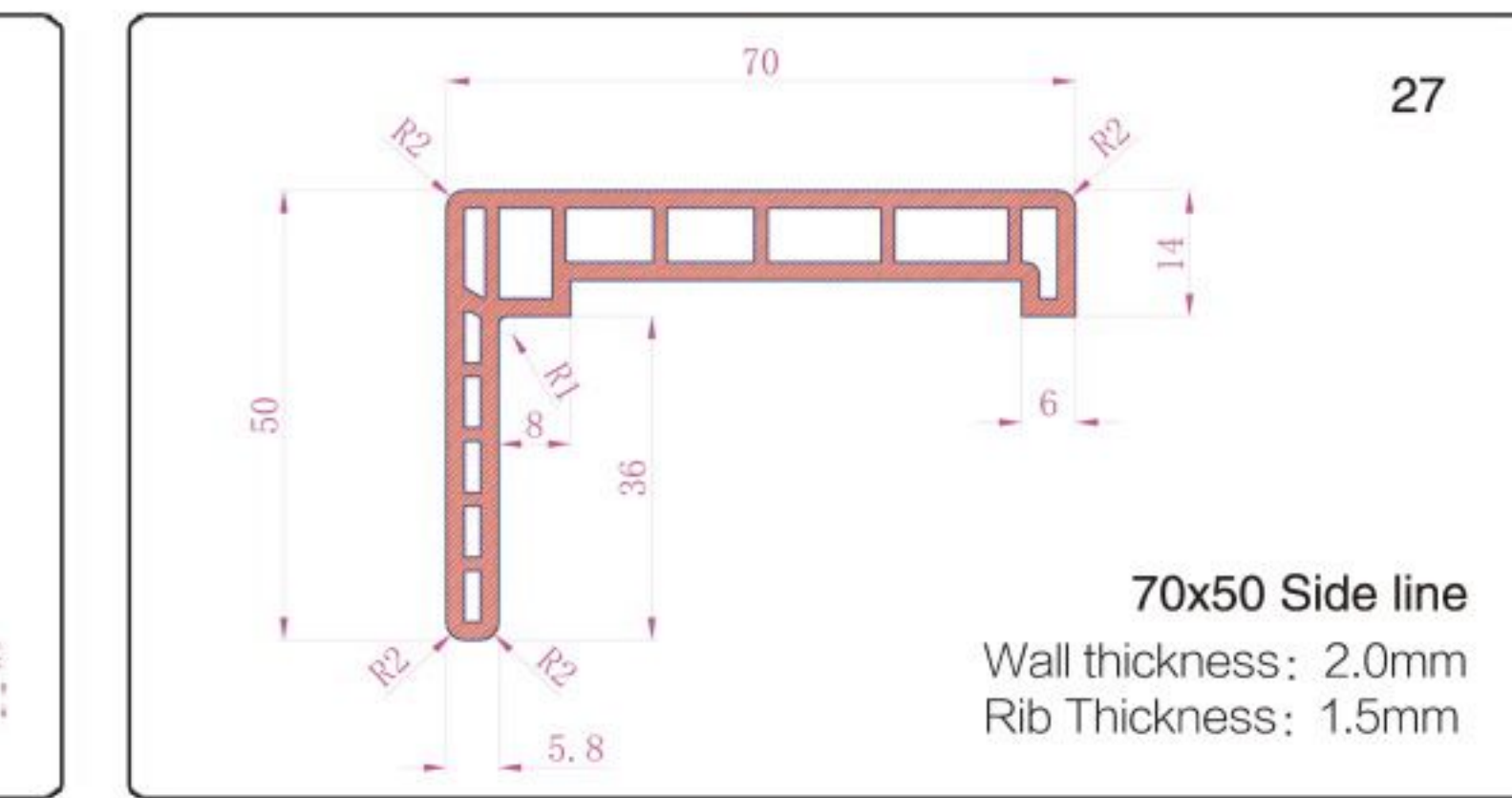
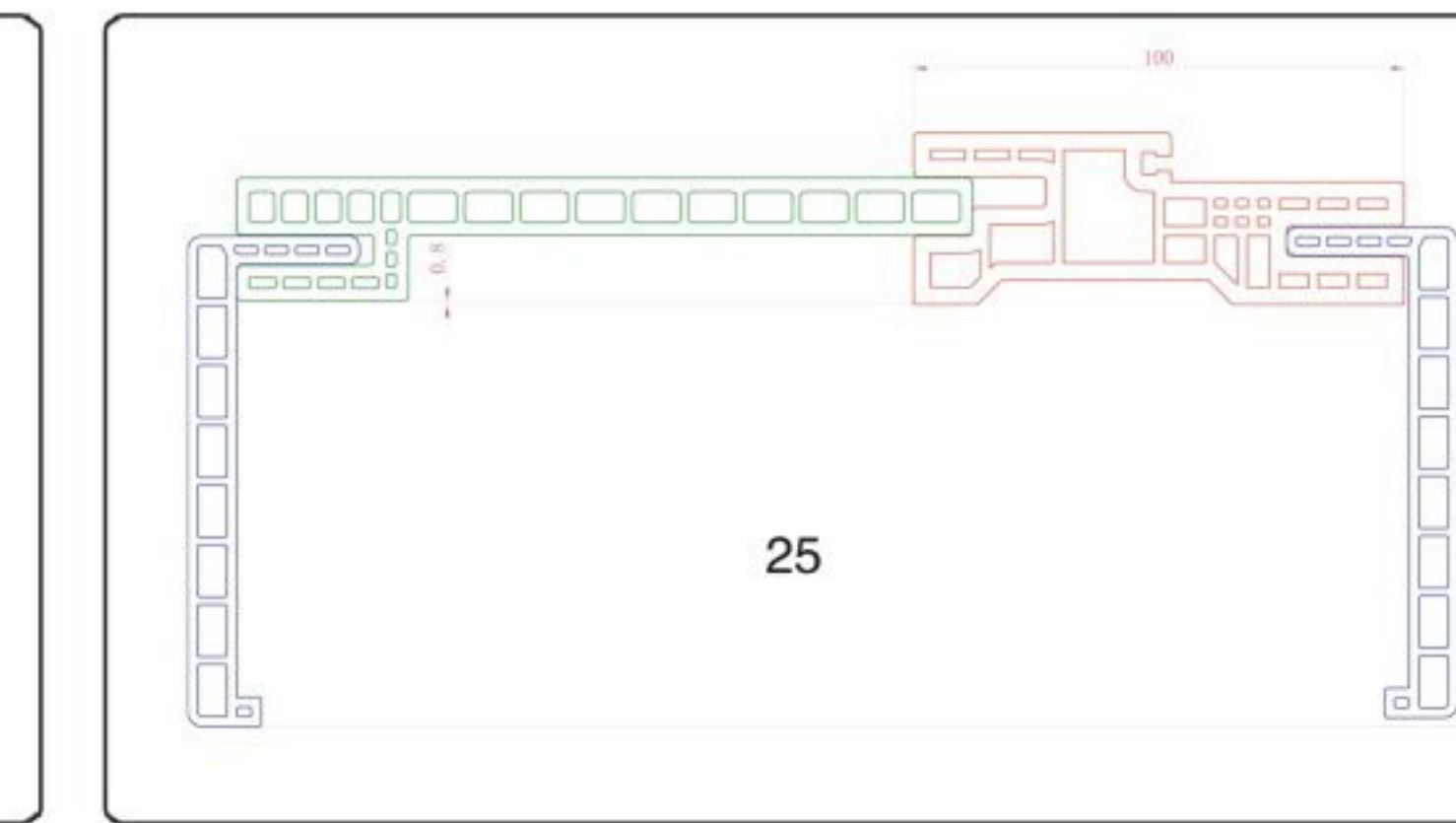
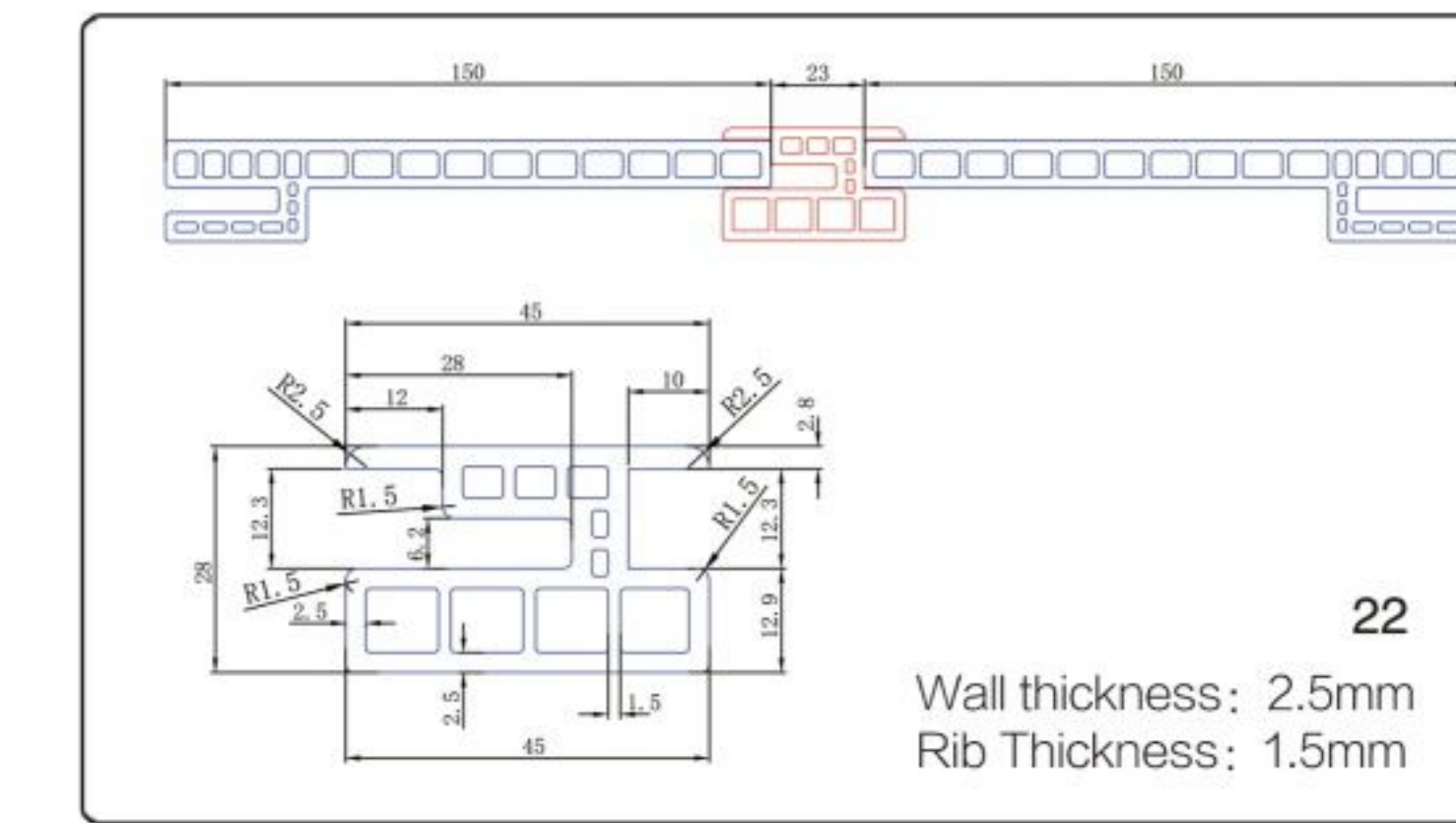
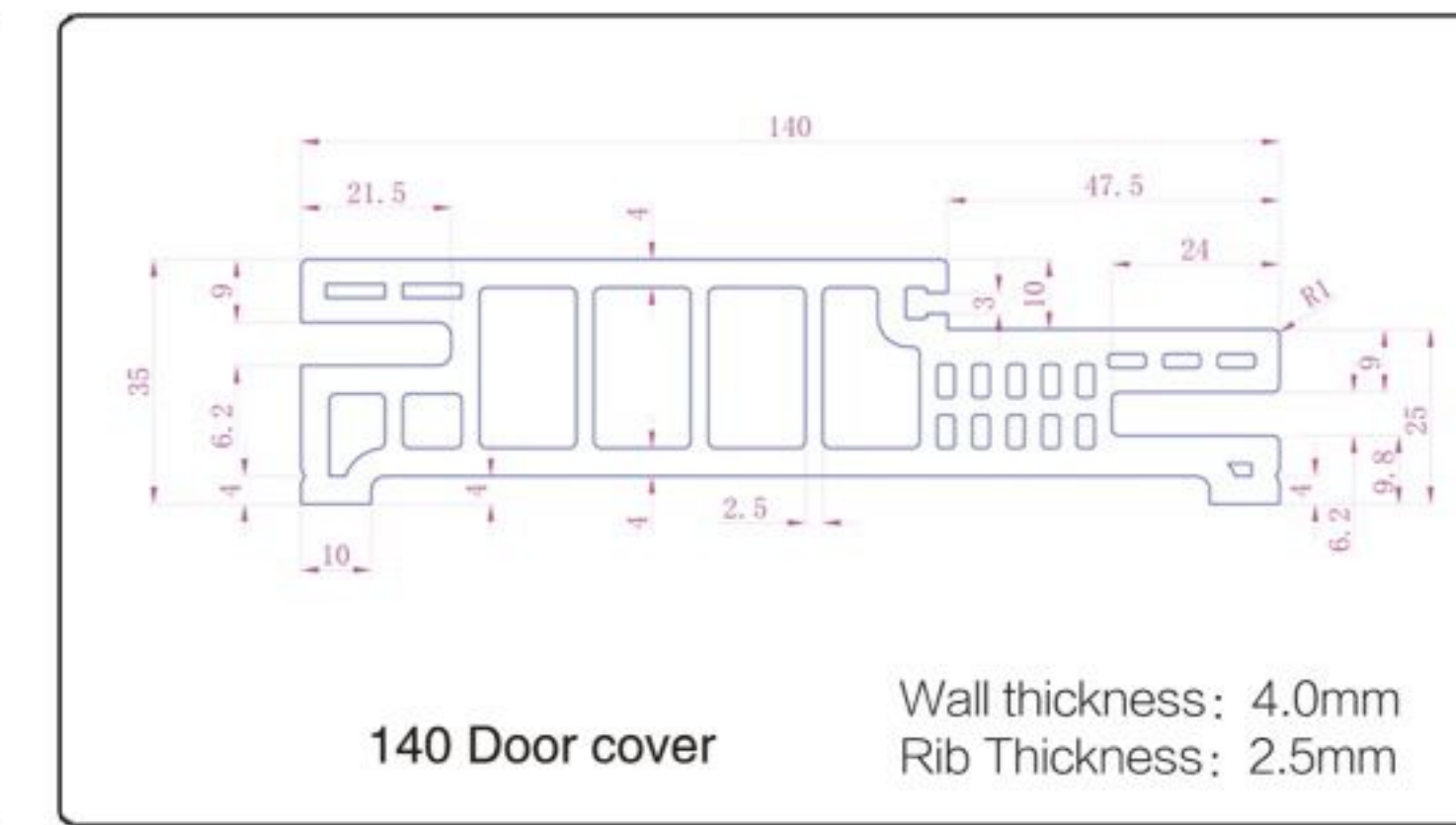
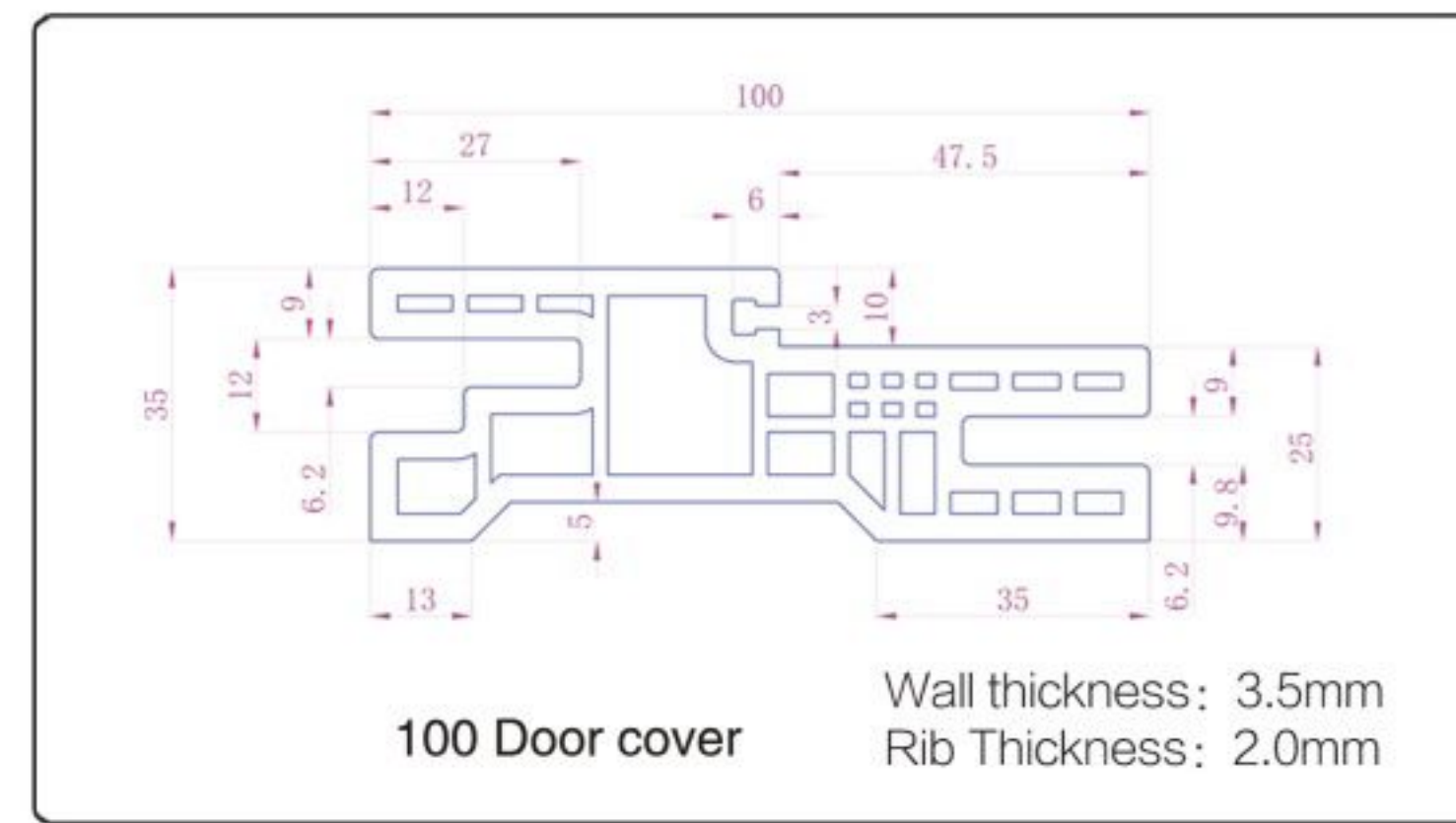
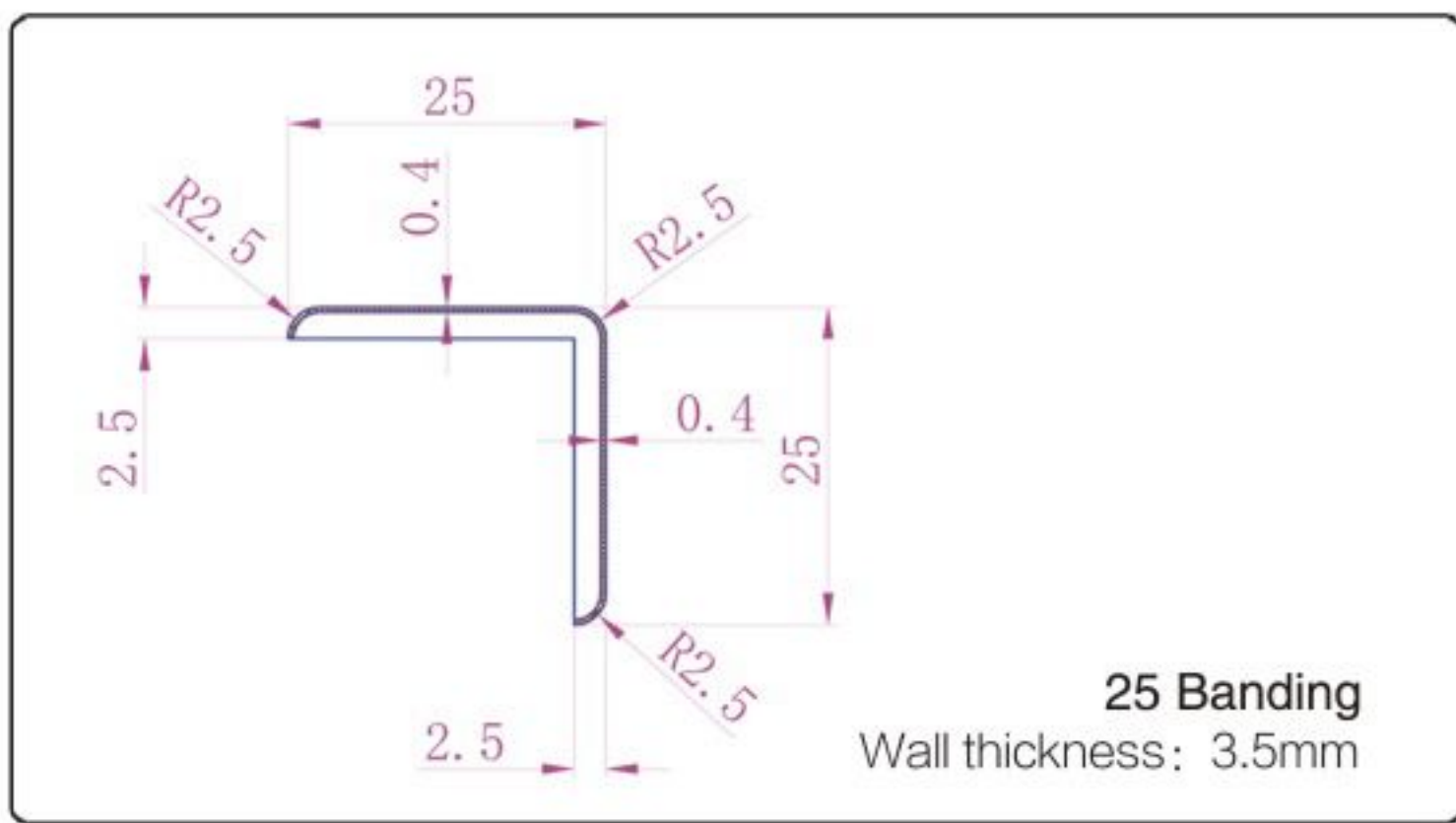
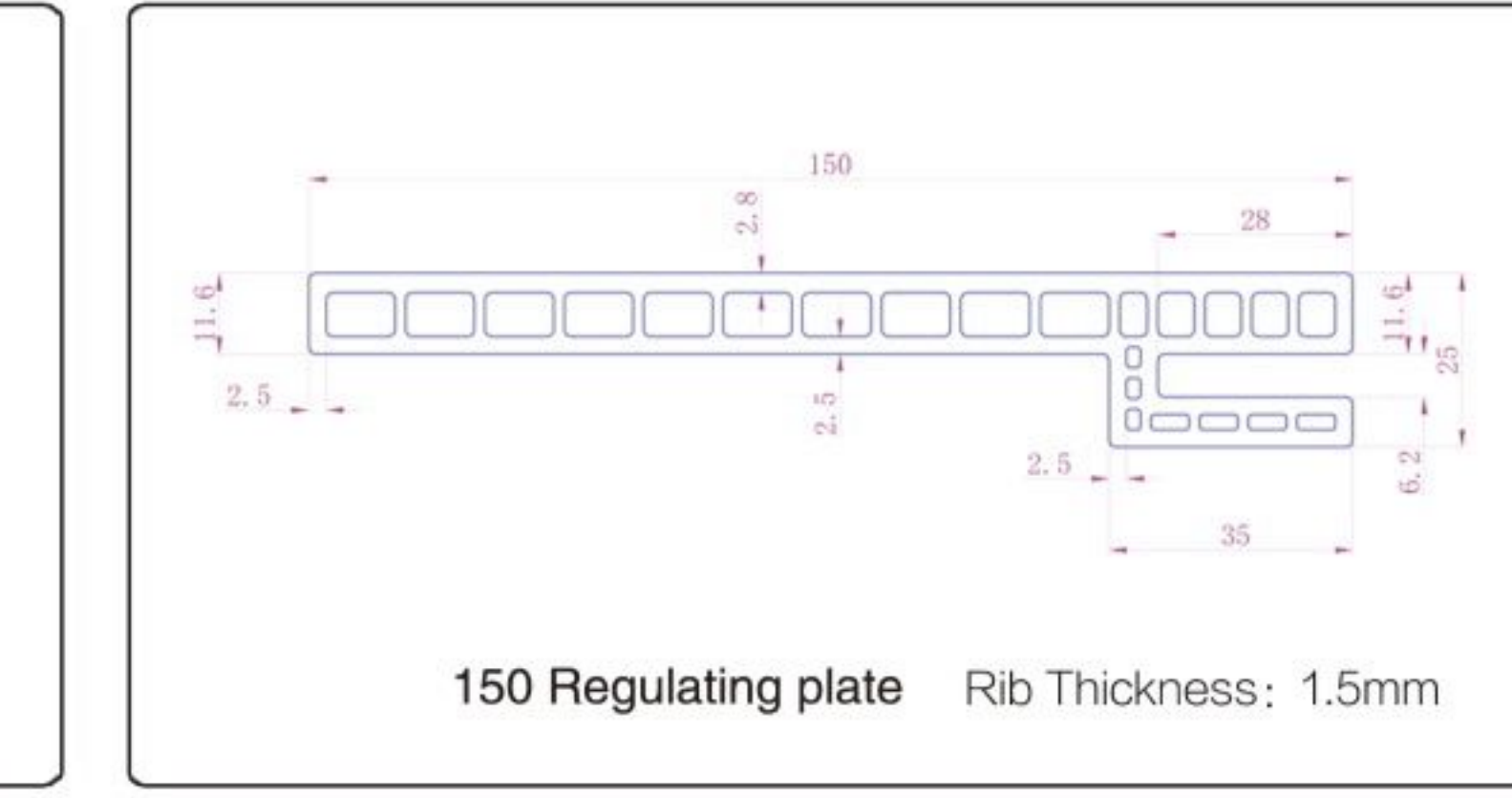
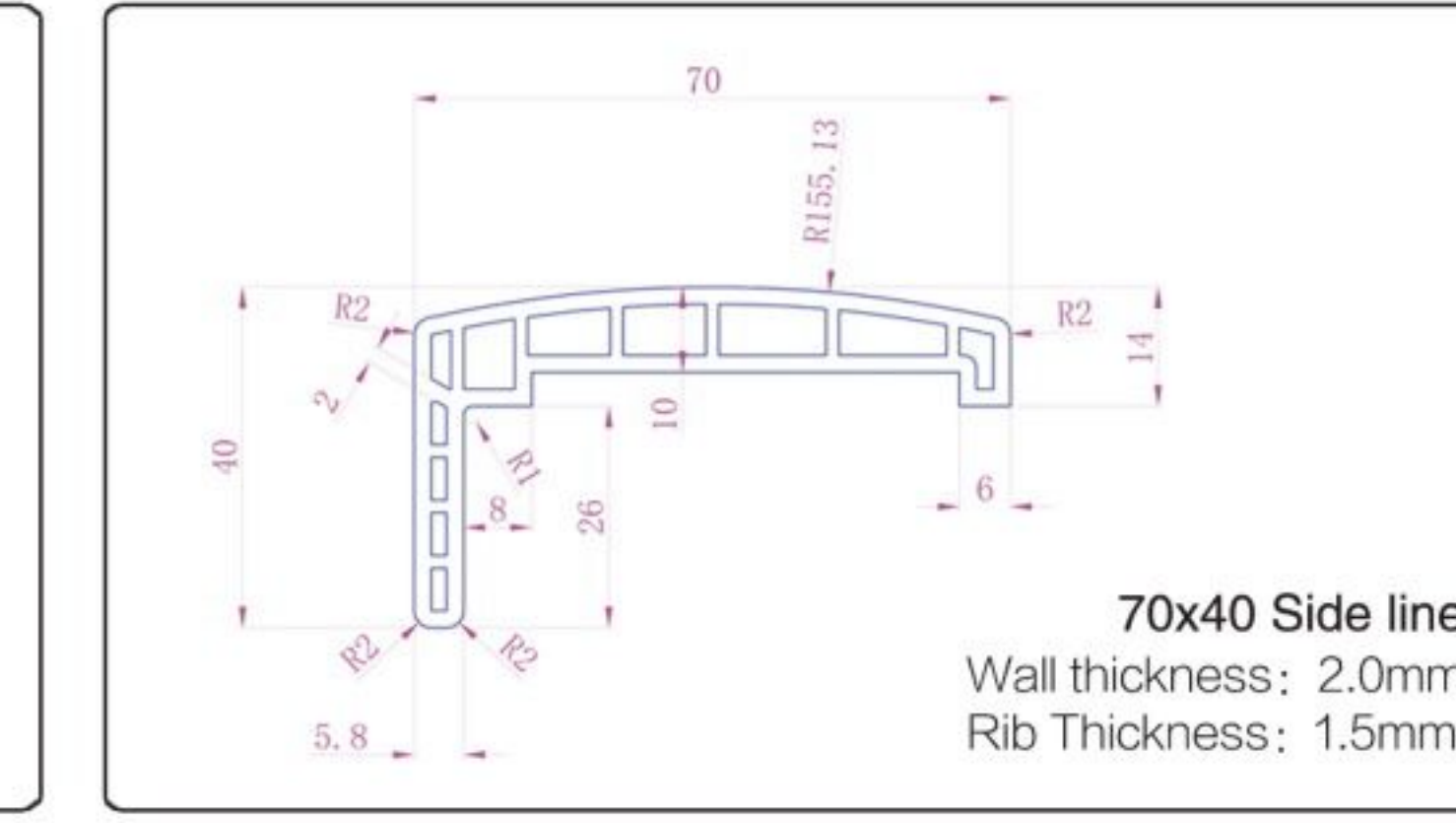
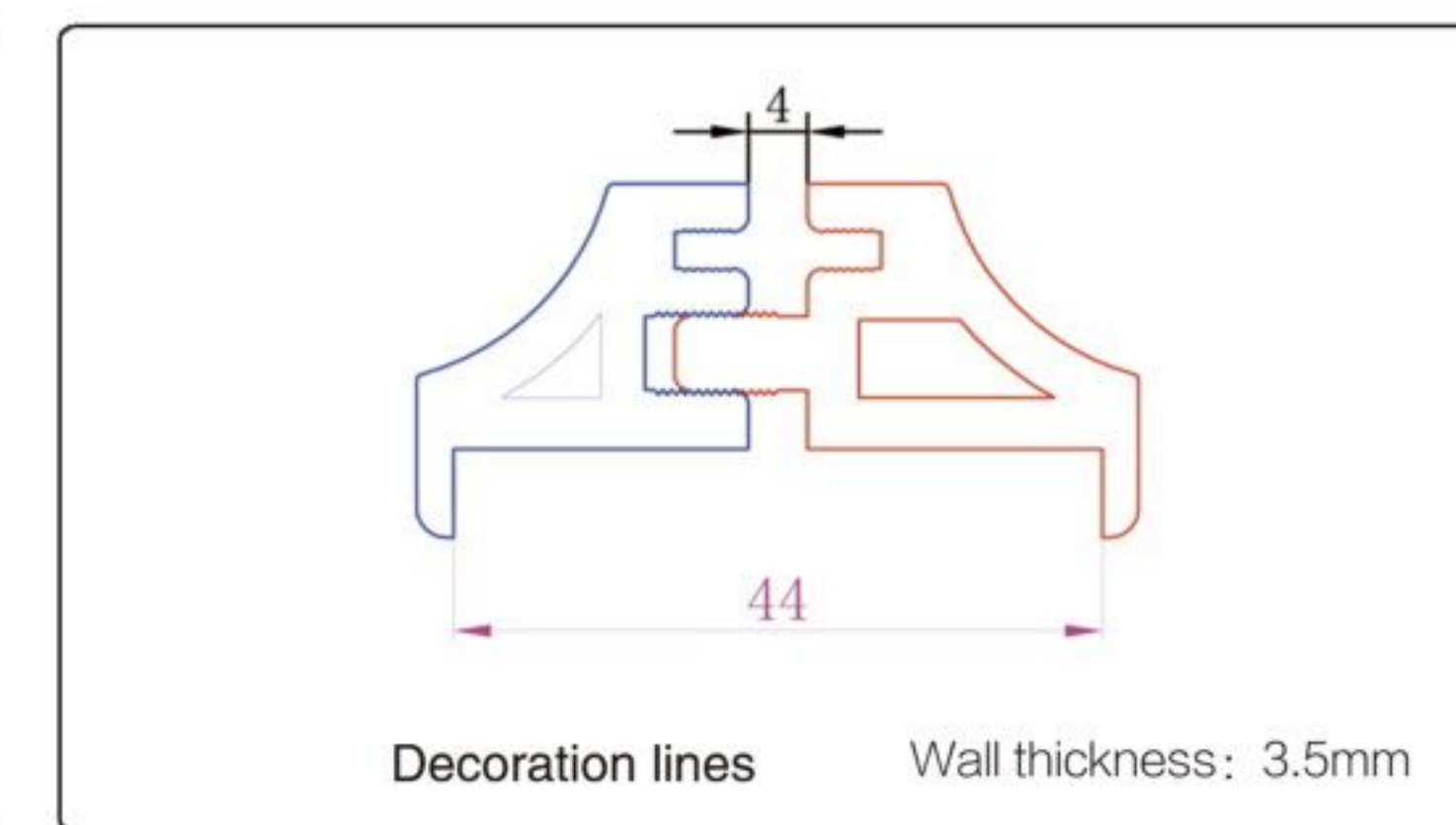
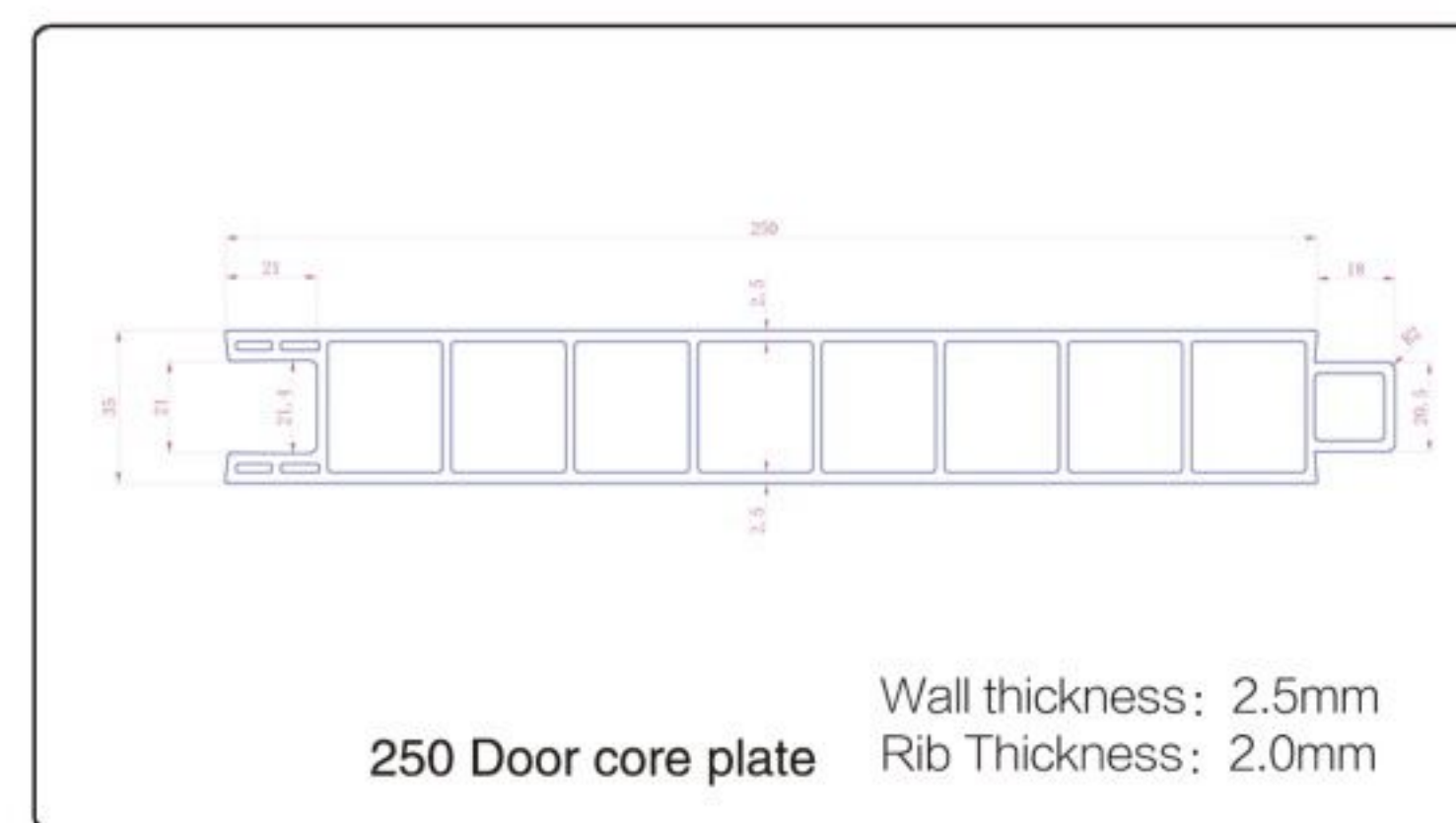
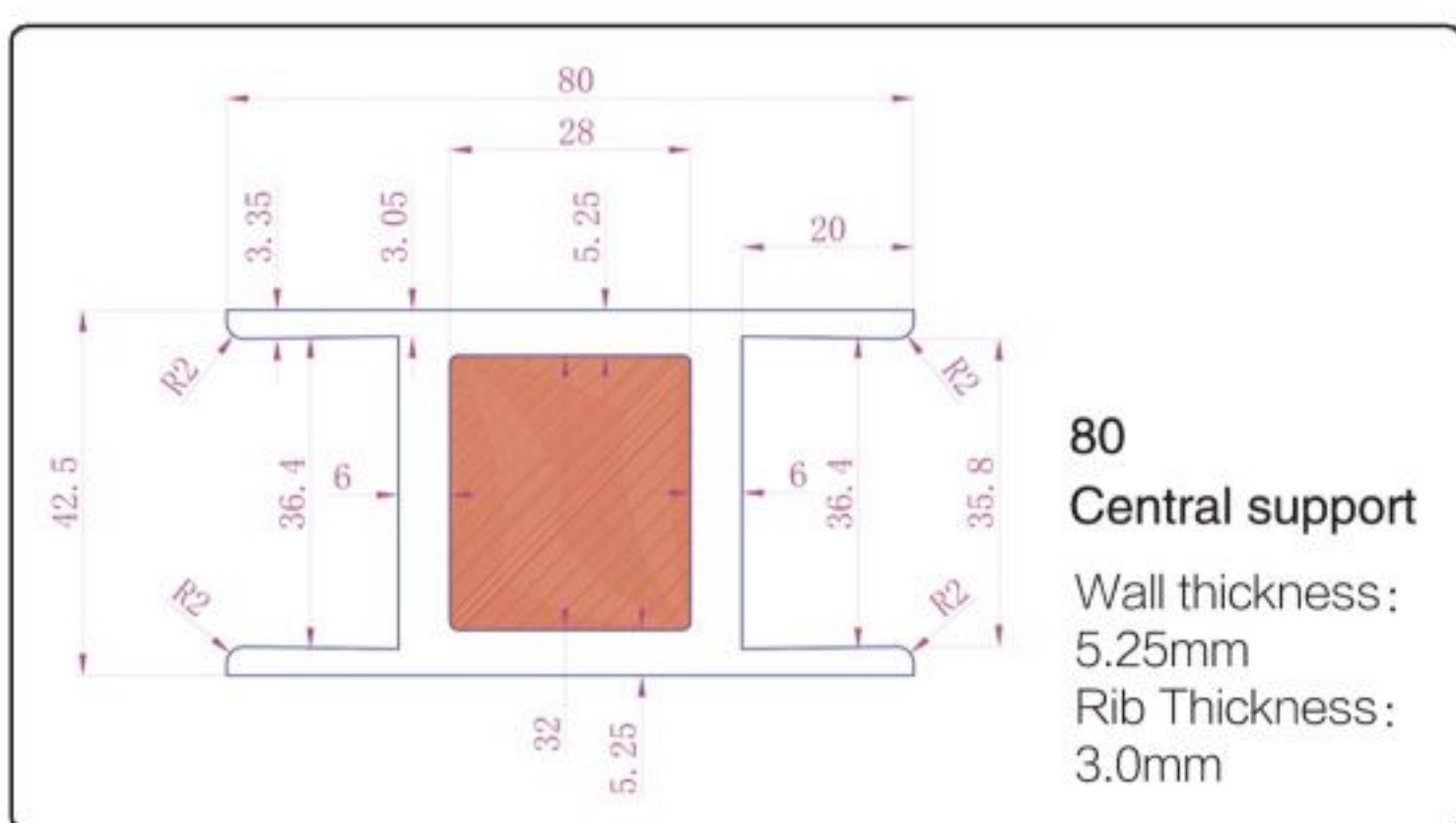
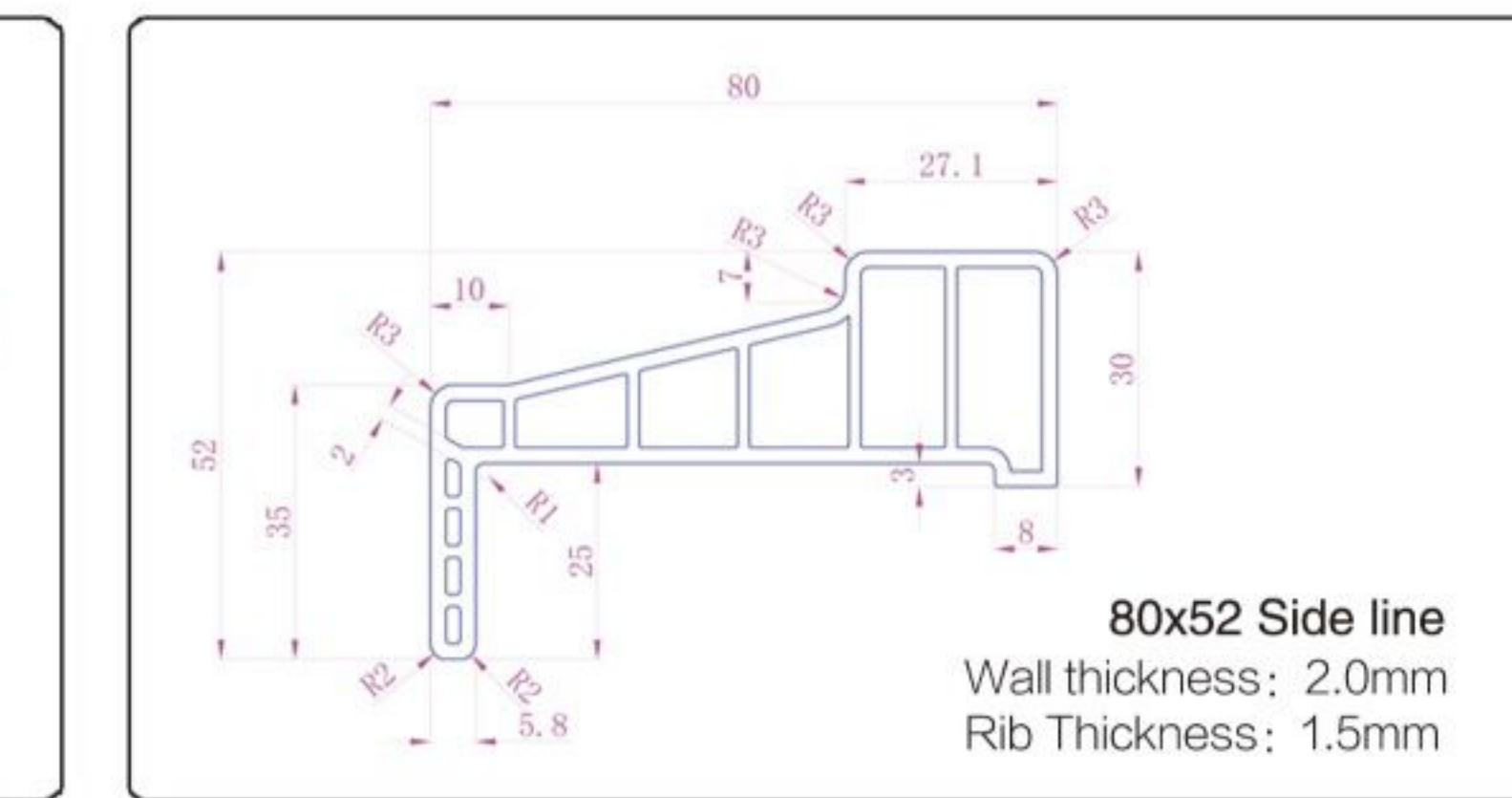
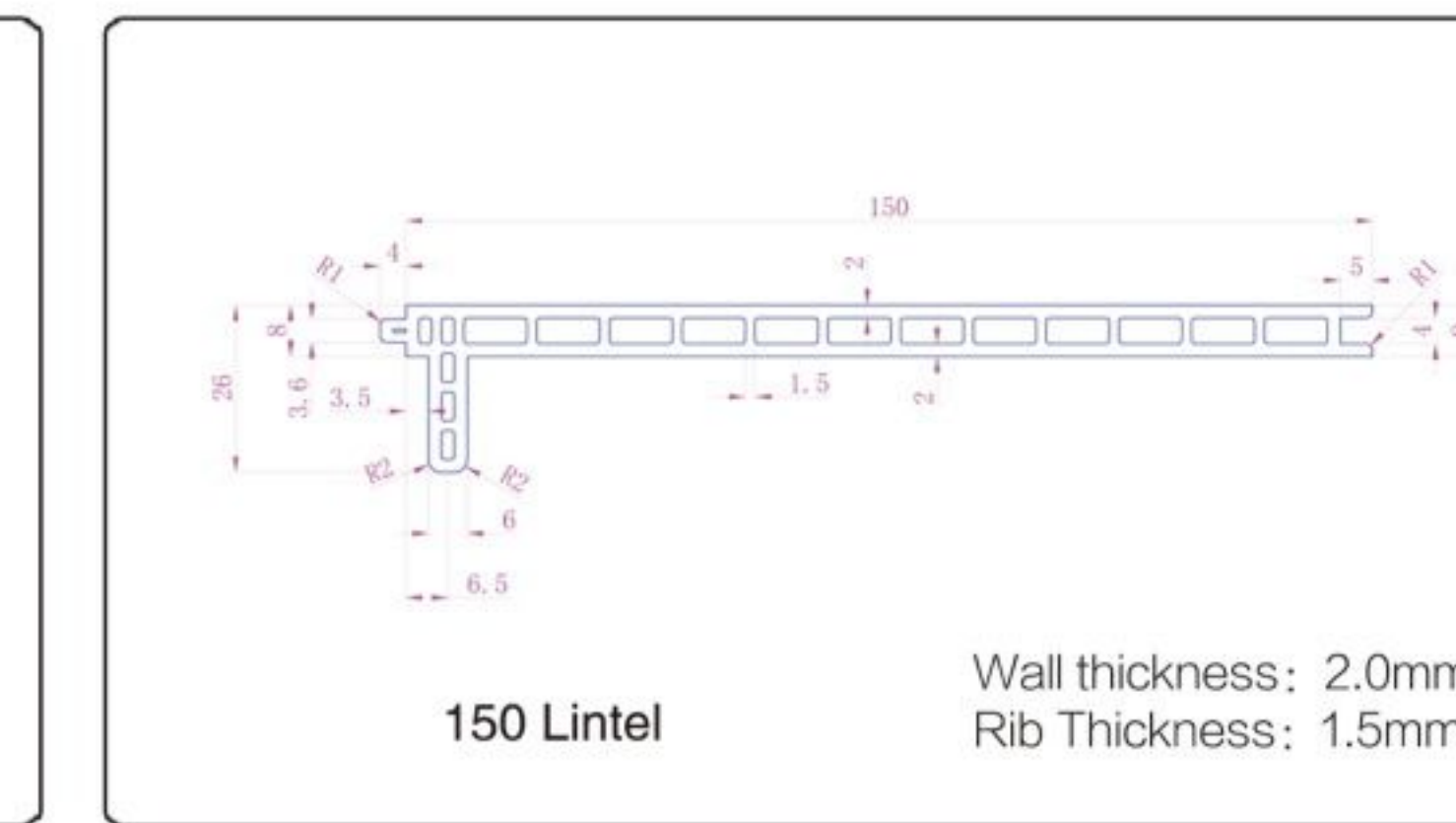
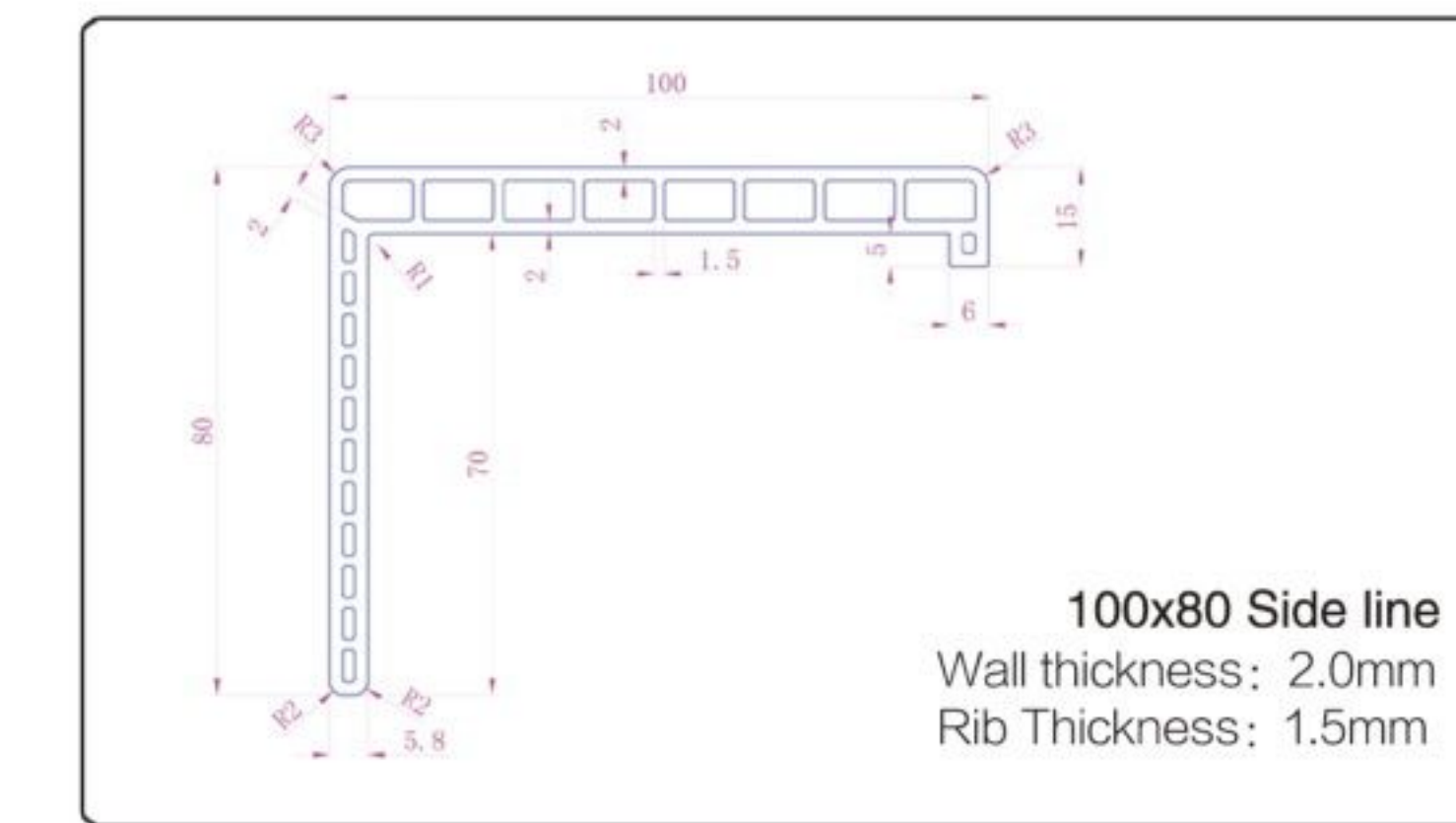
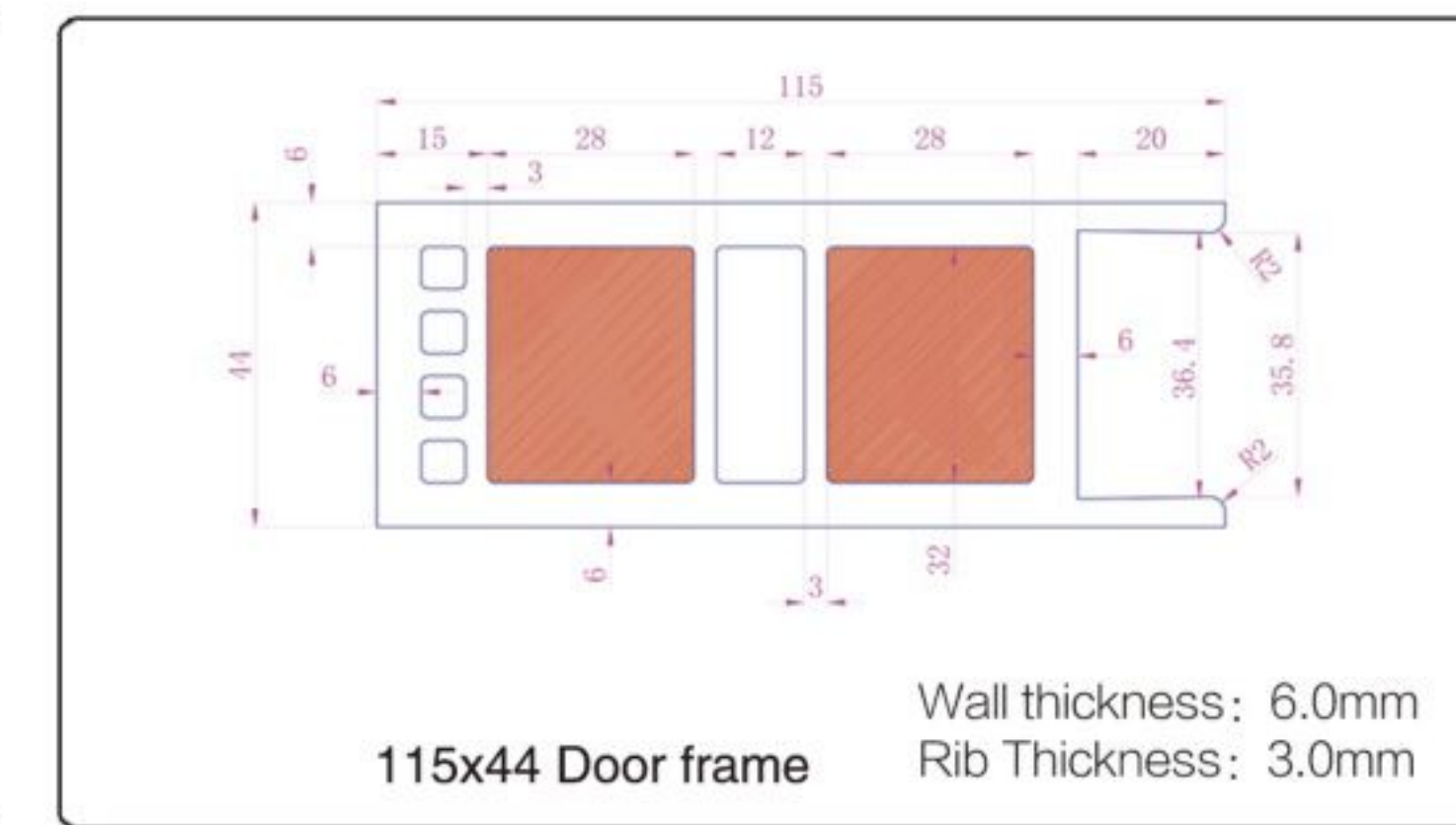
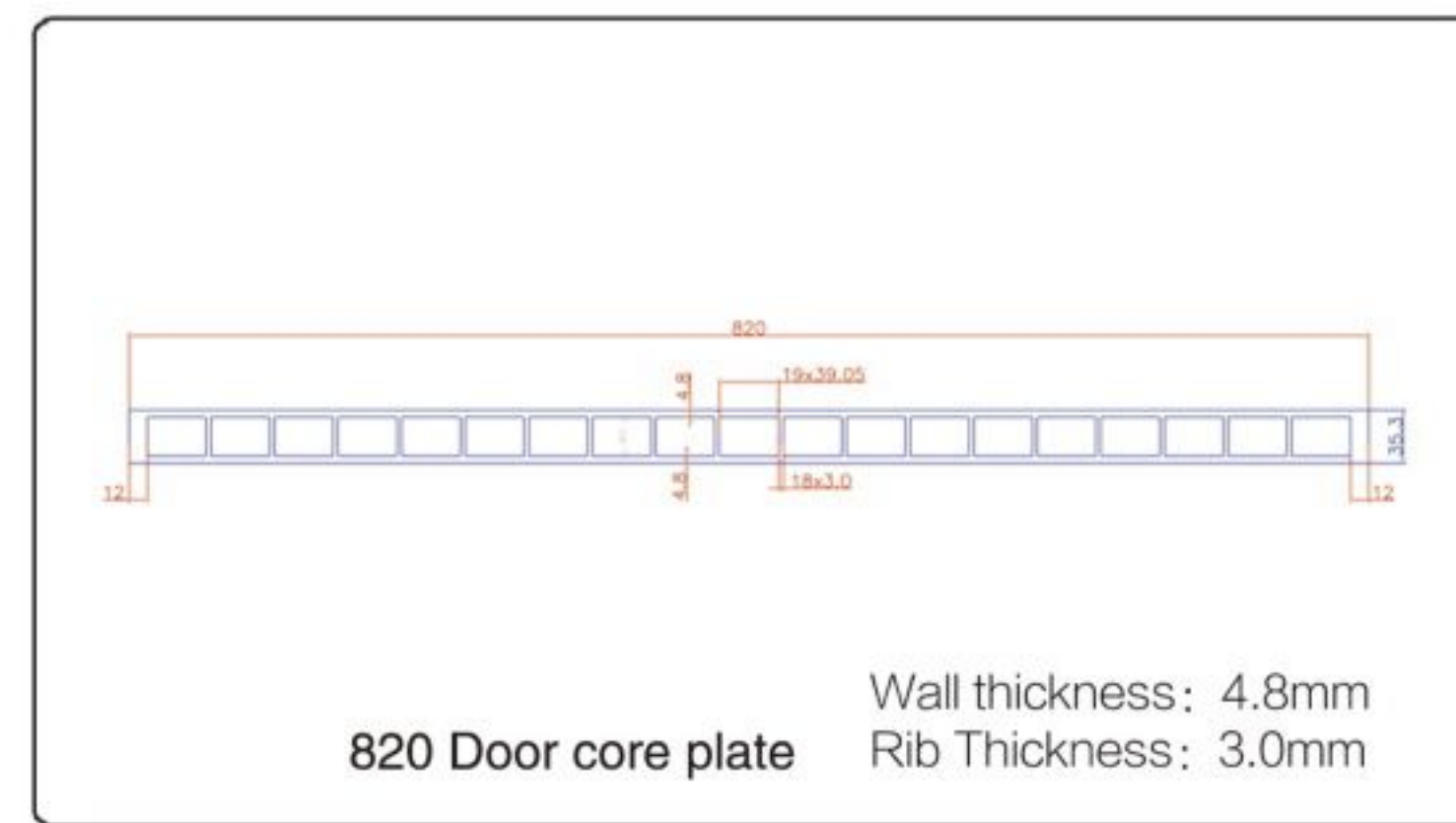
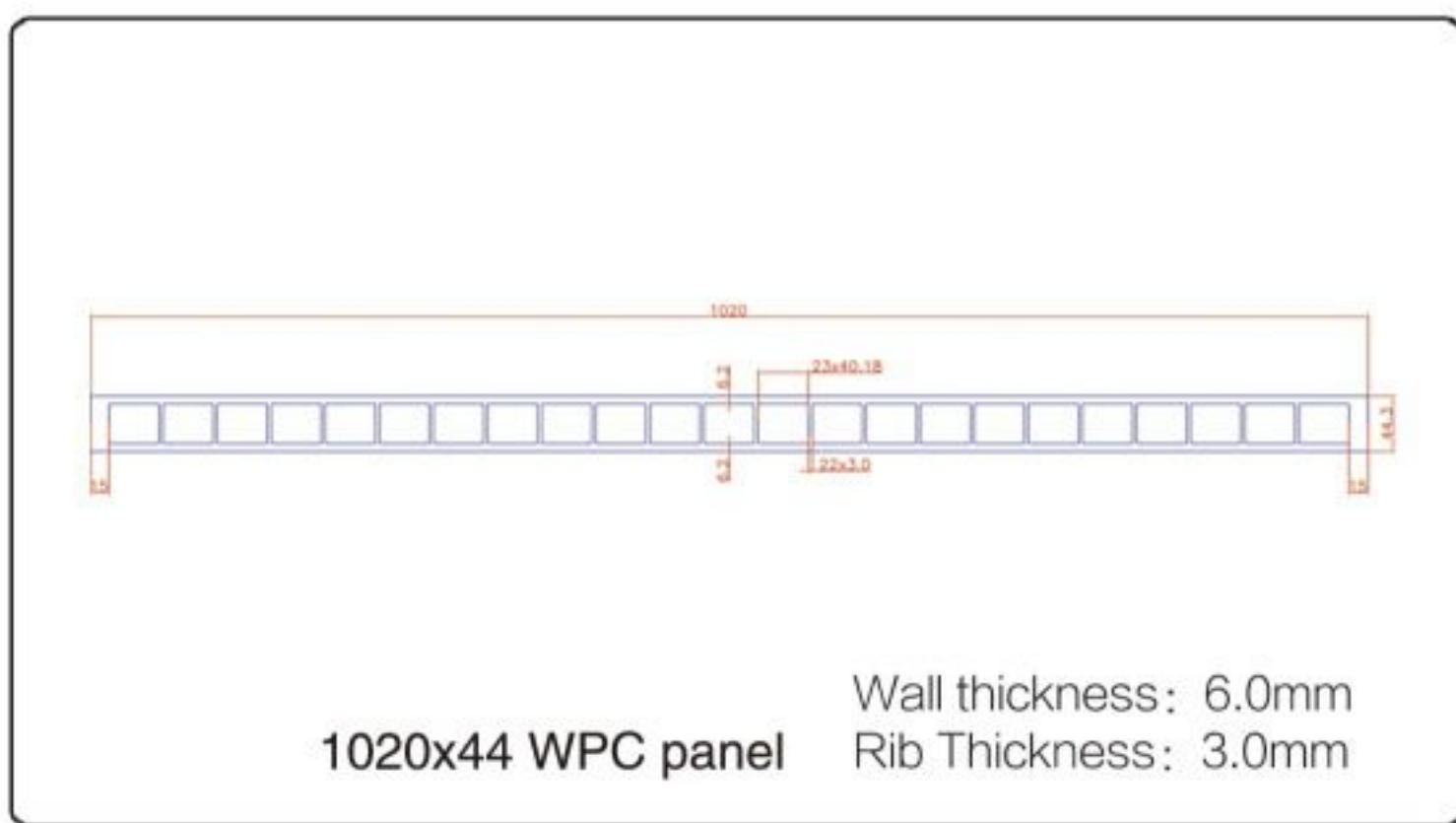
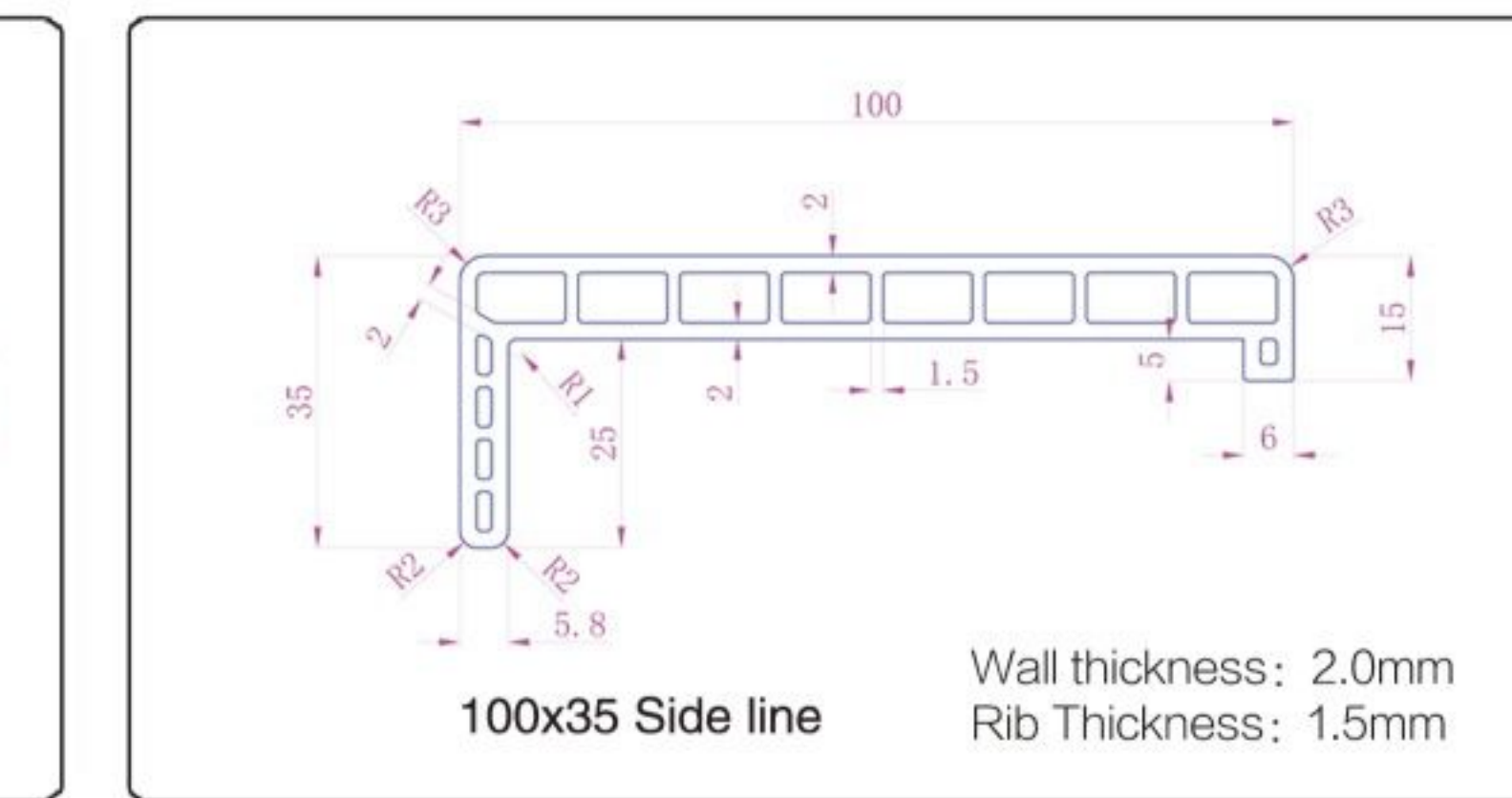
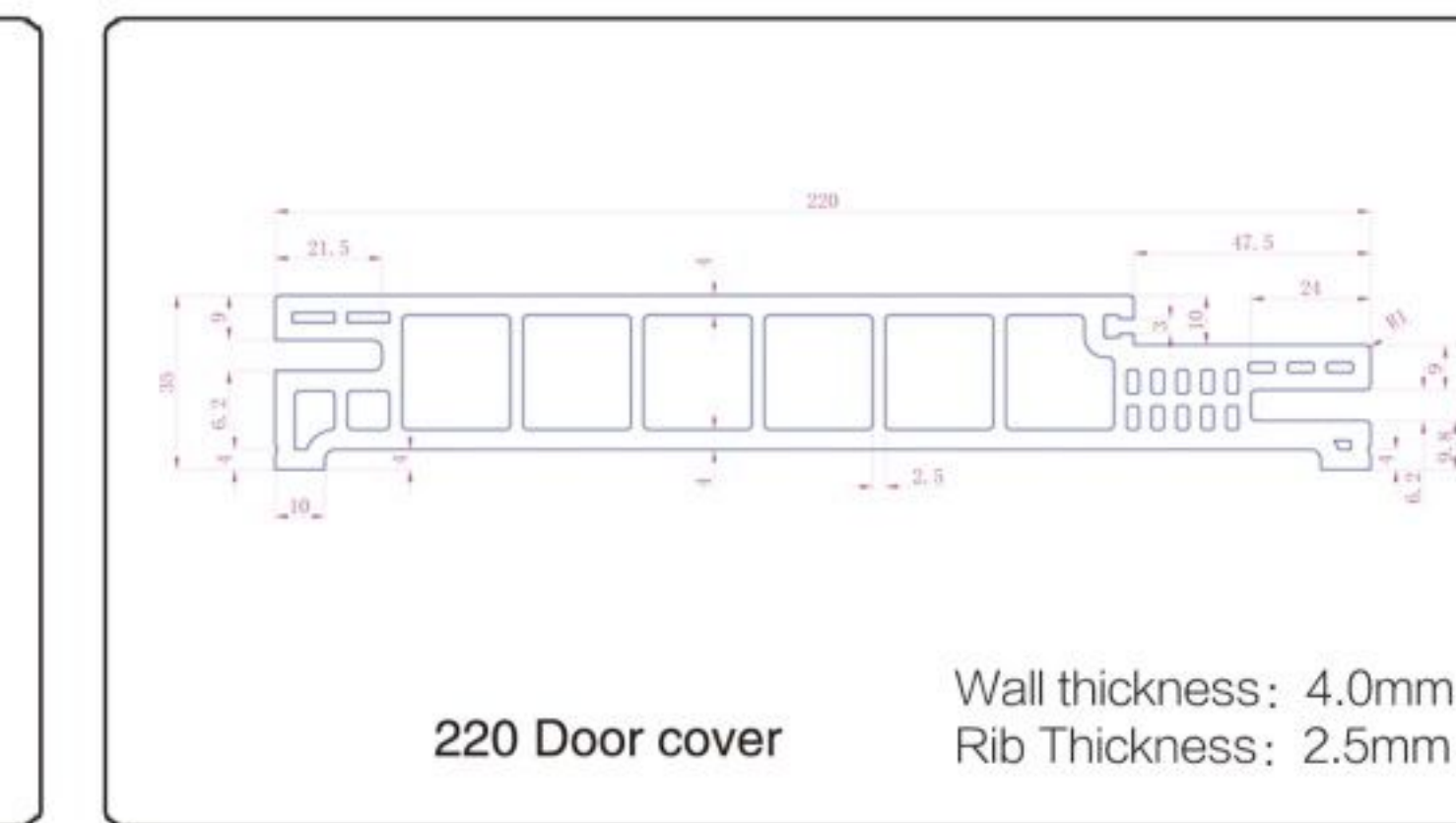
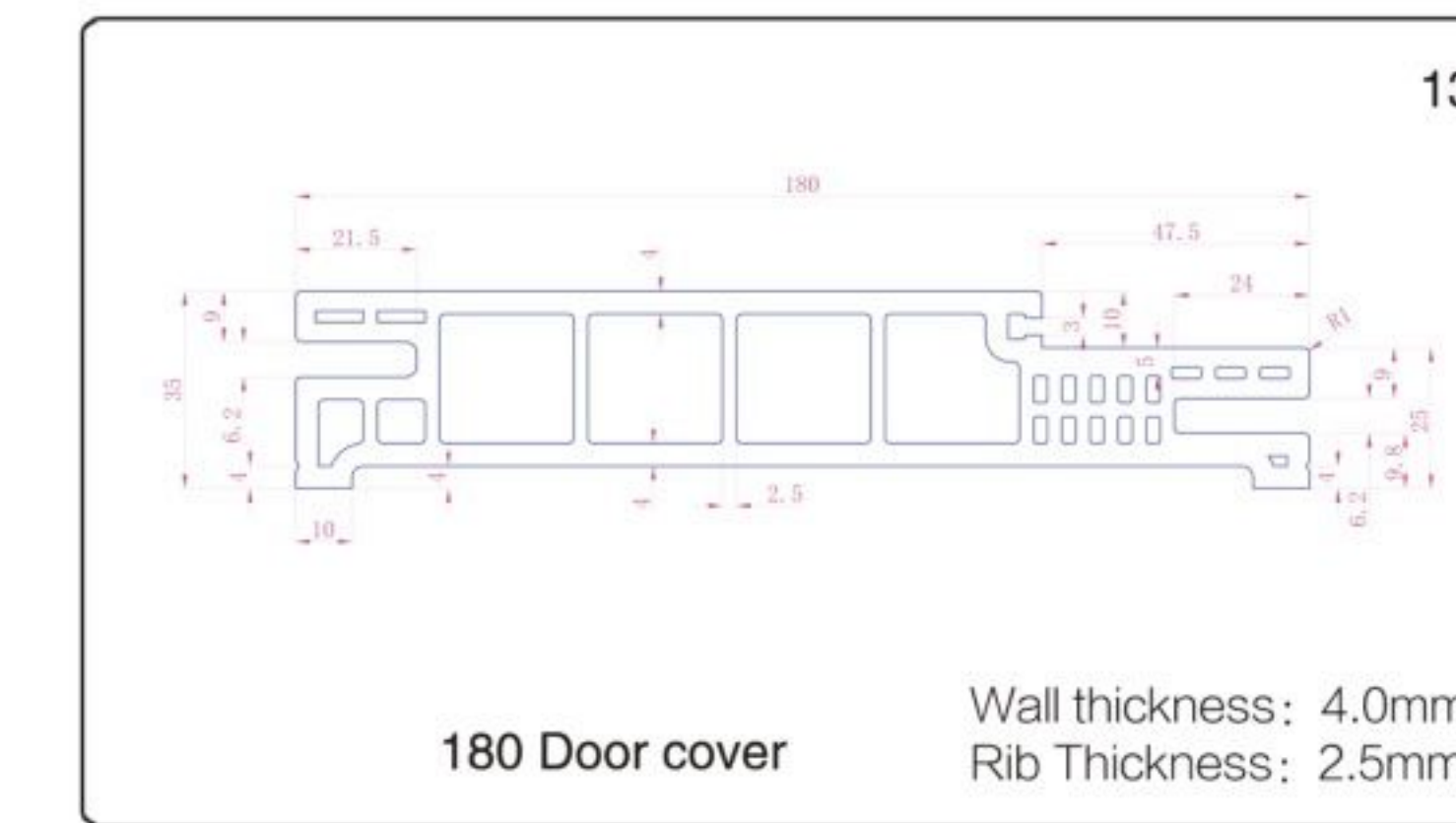
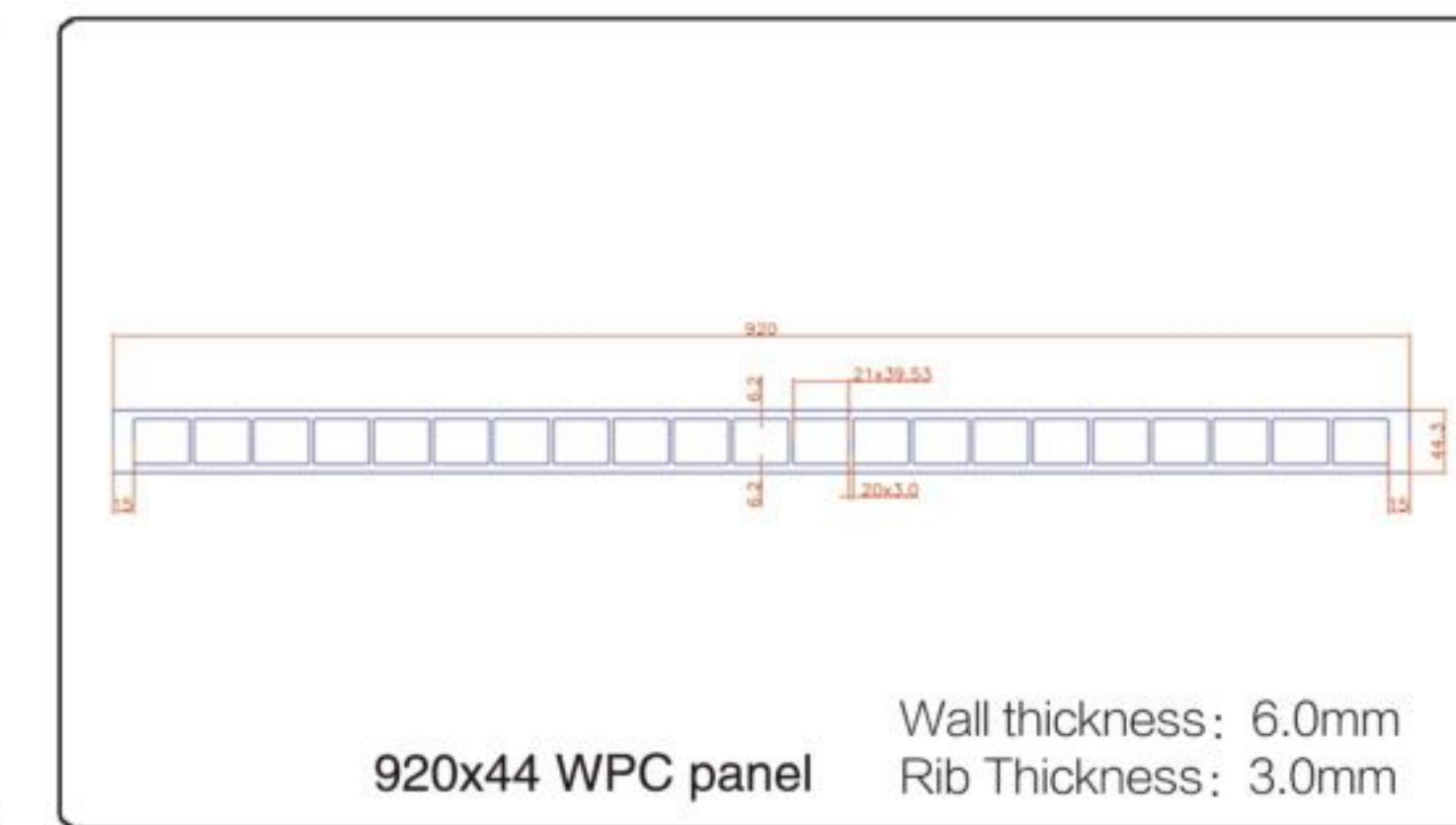
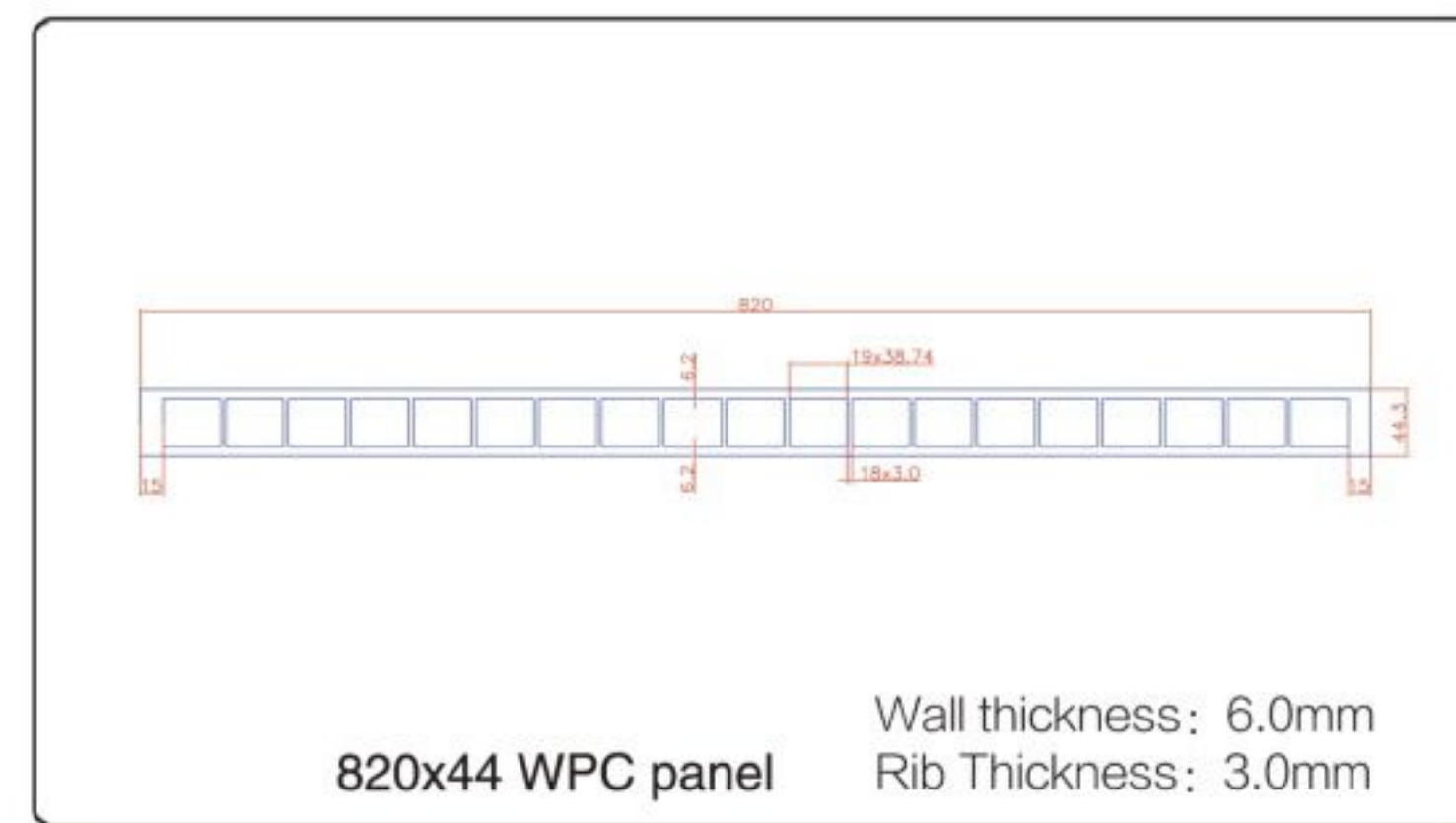
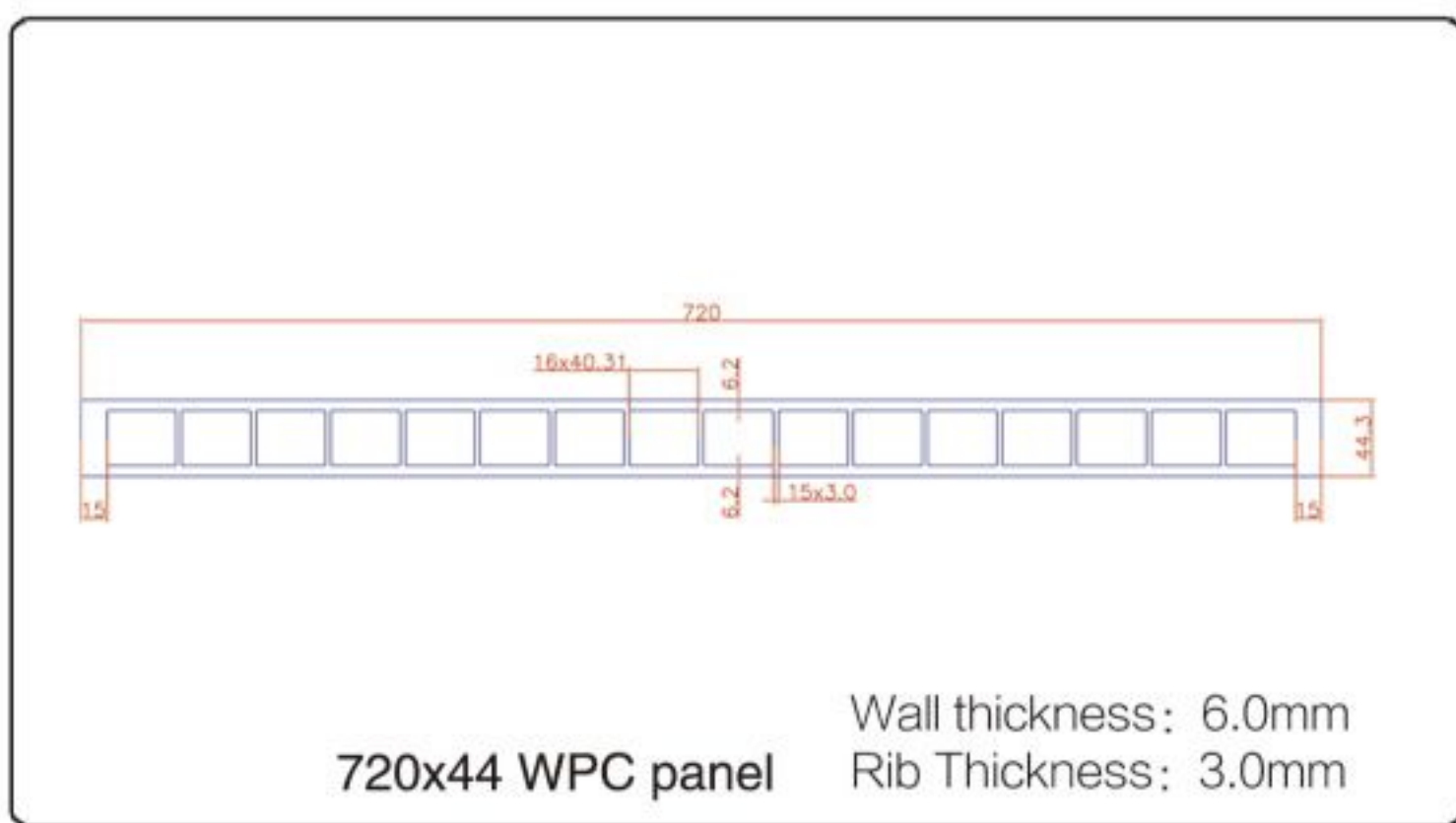
WPC-10

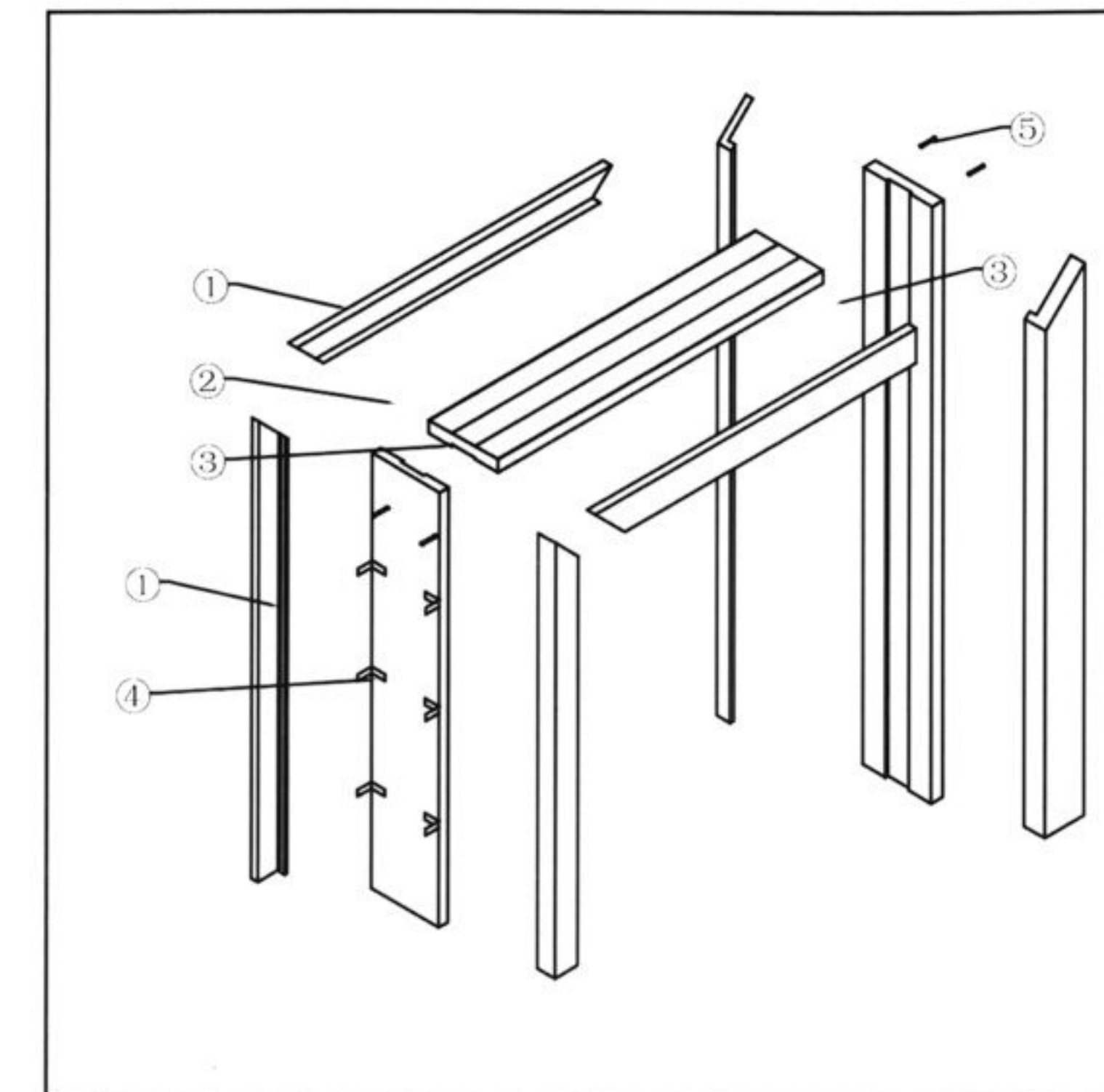
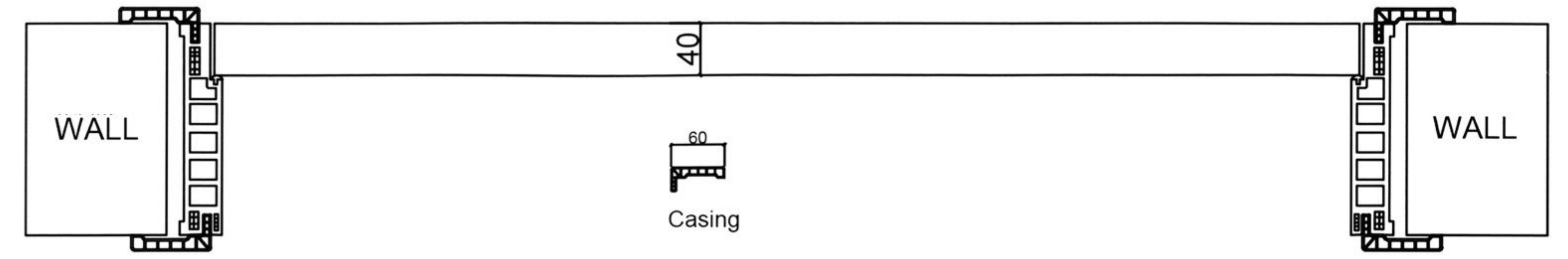
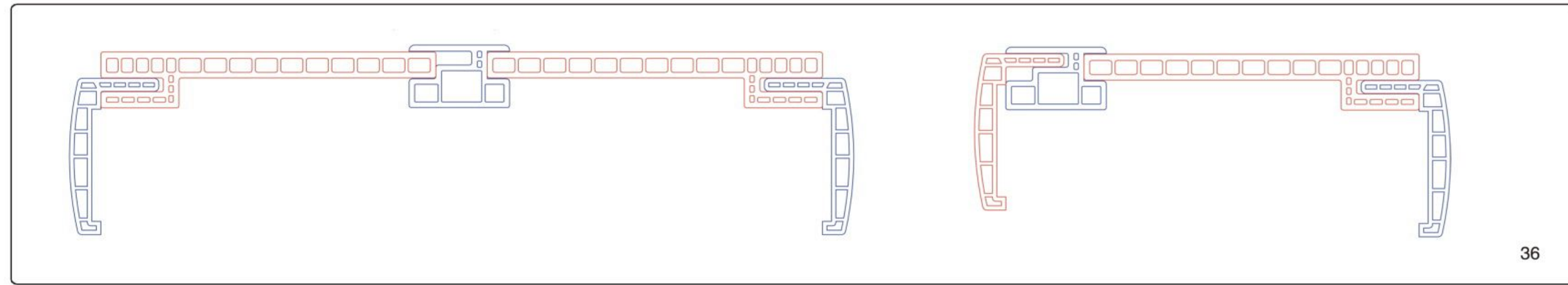
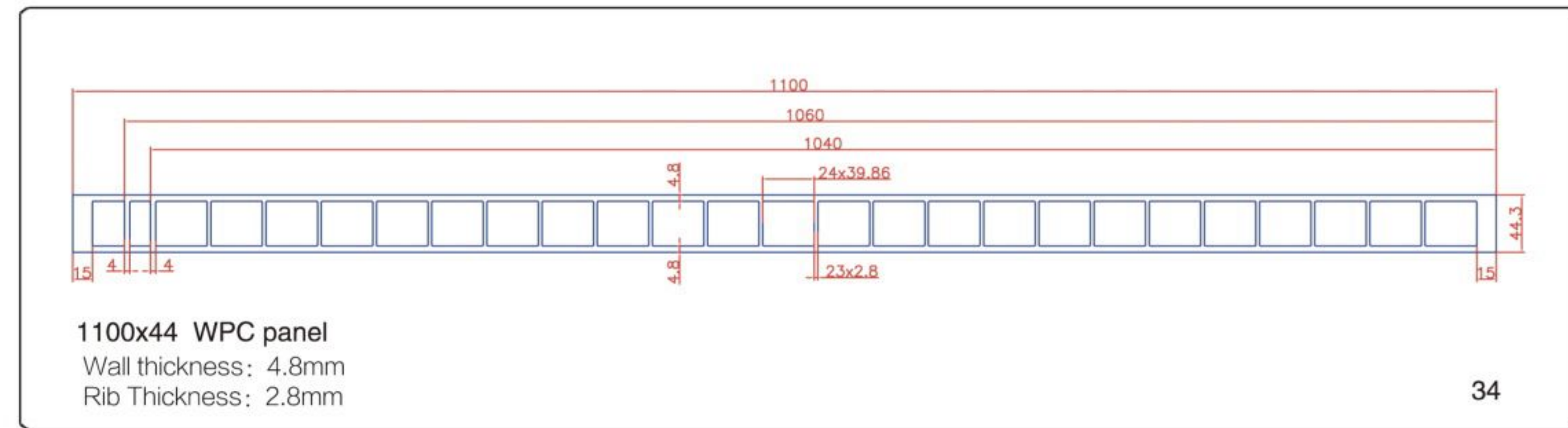
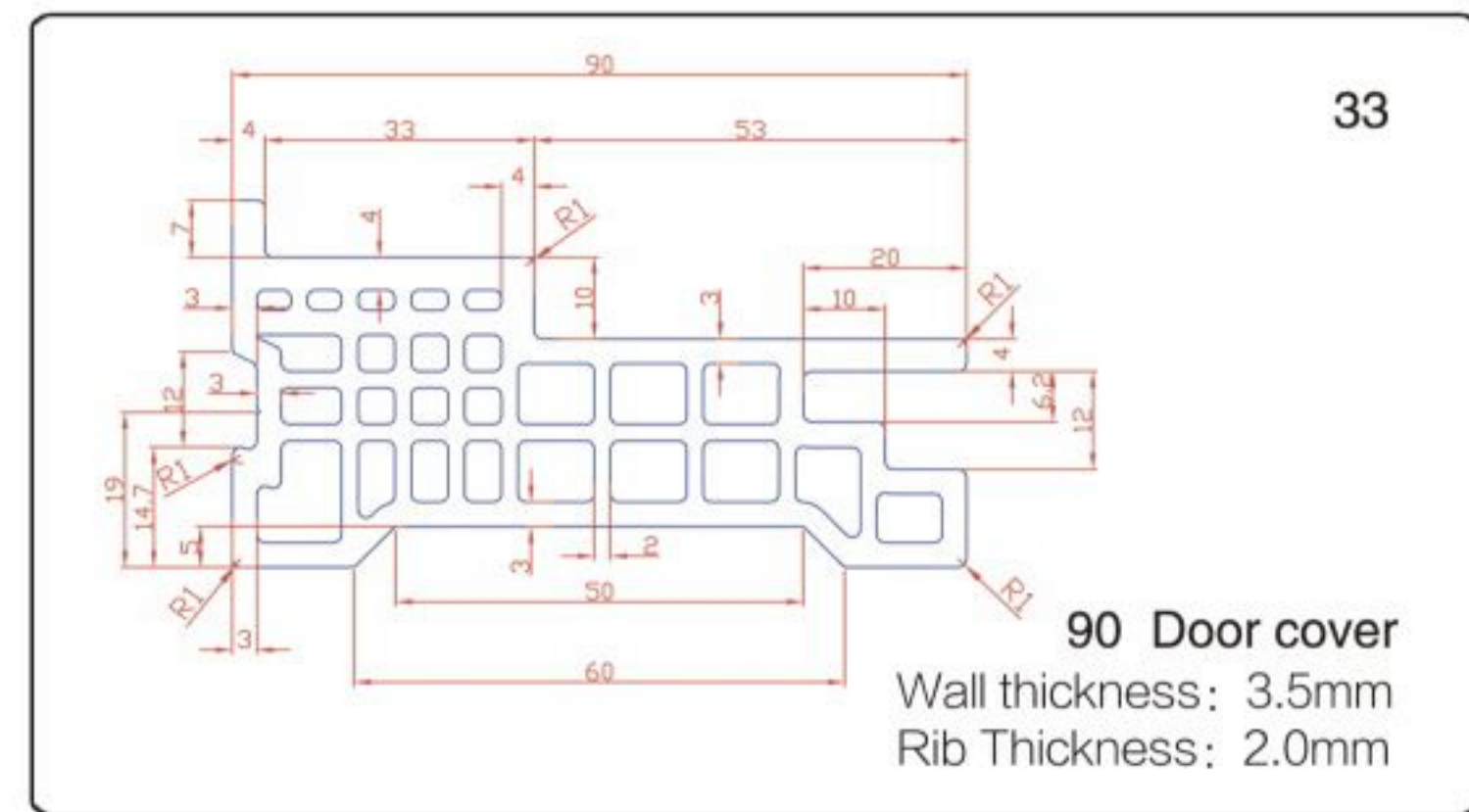
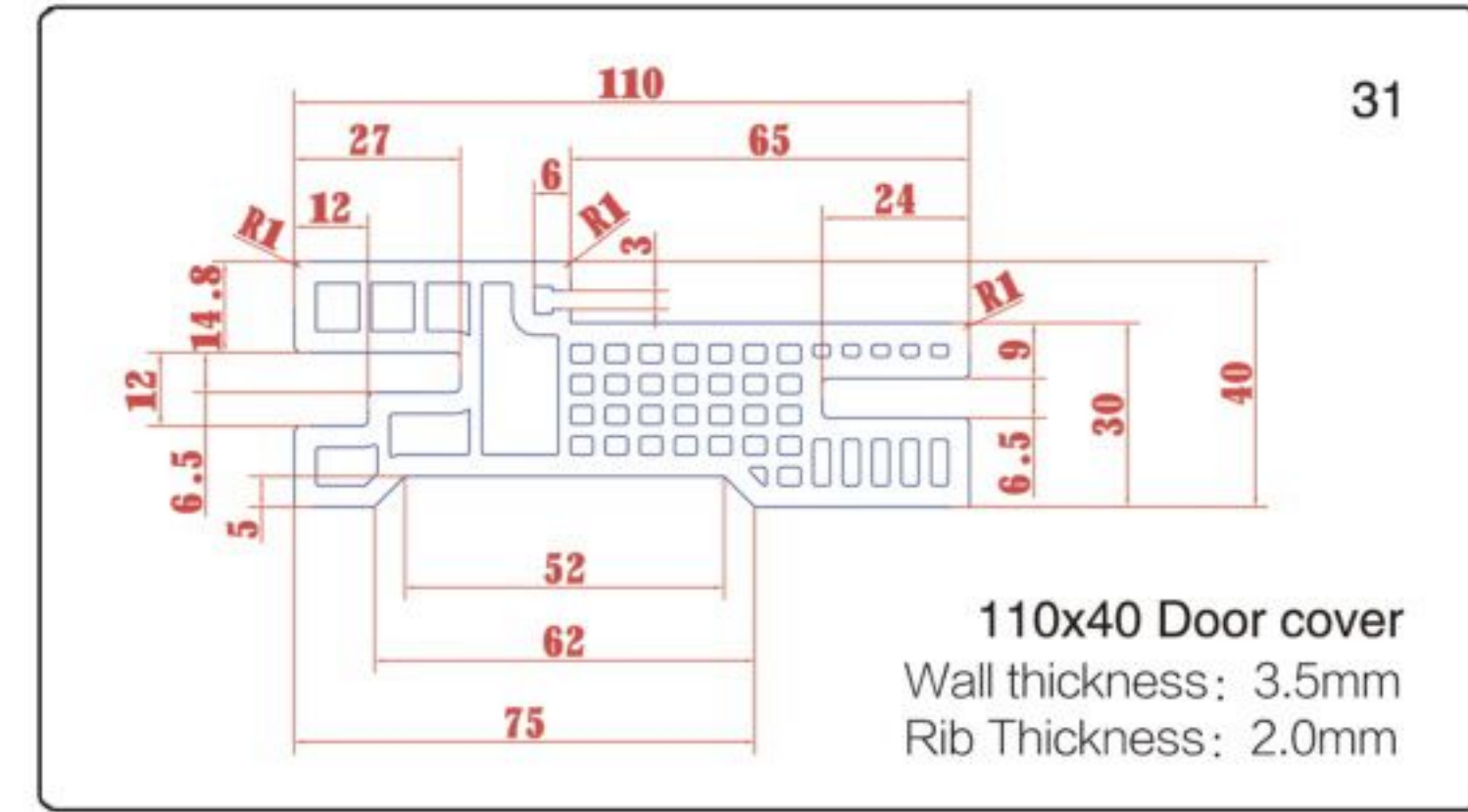
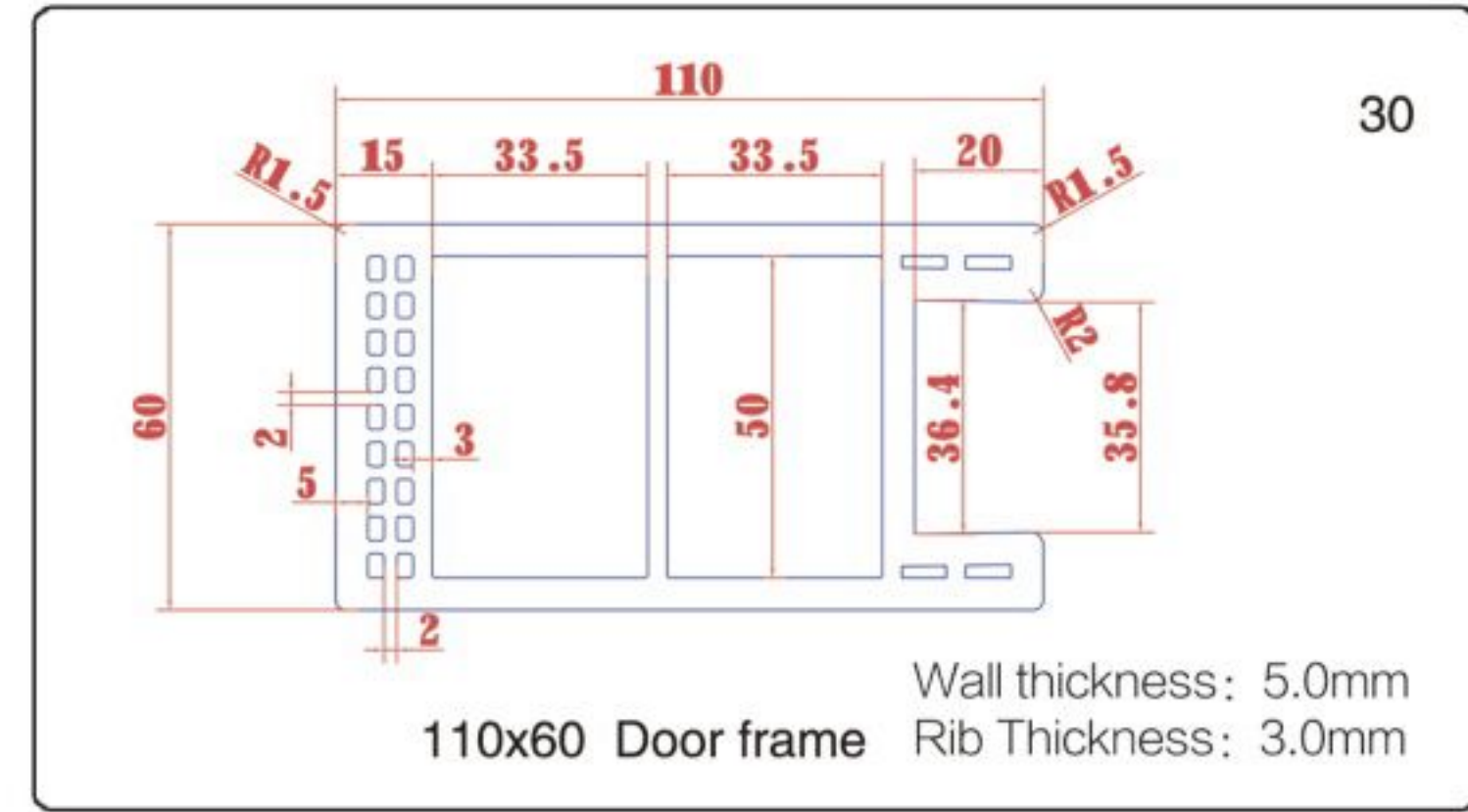
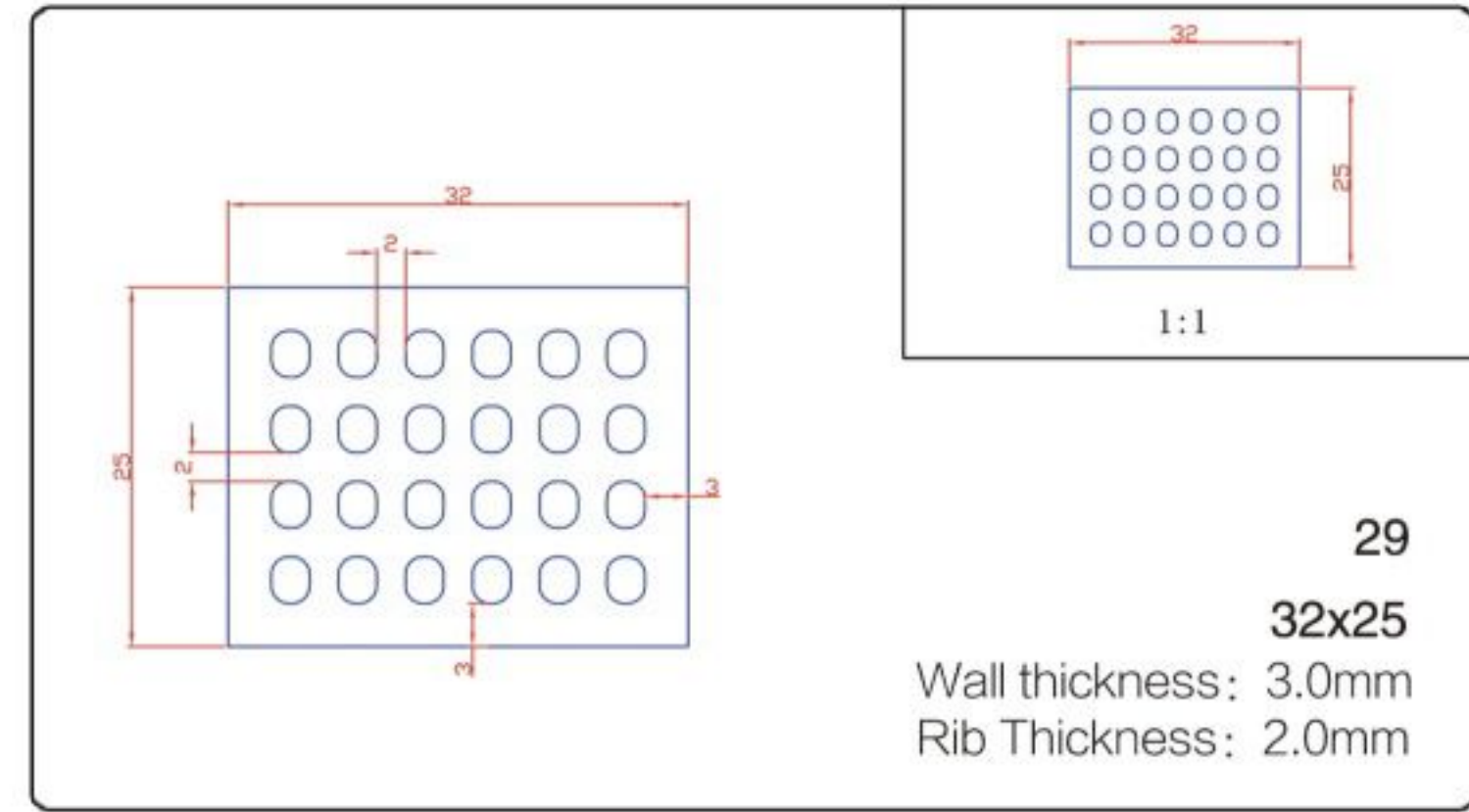
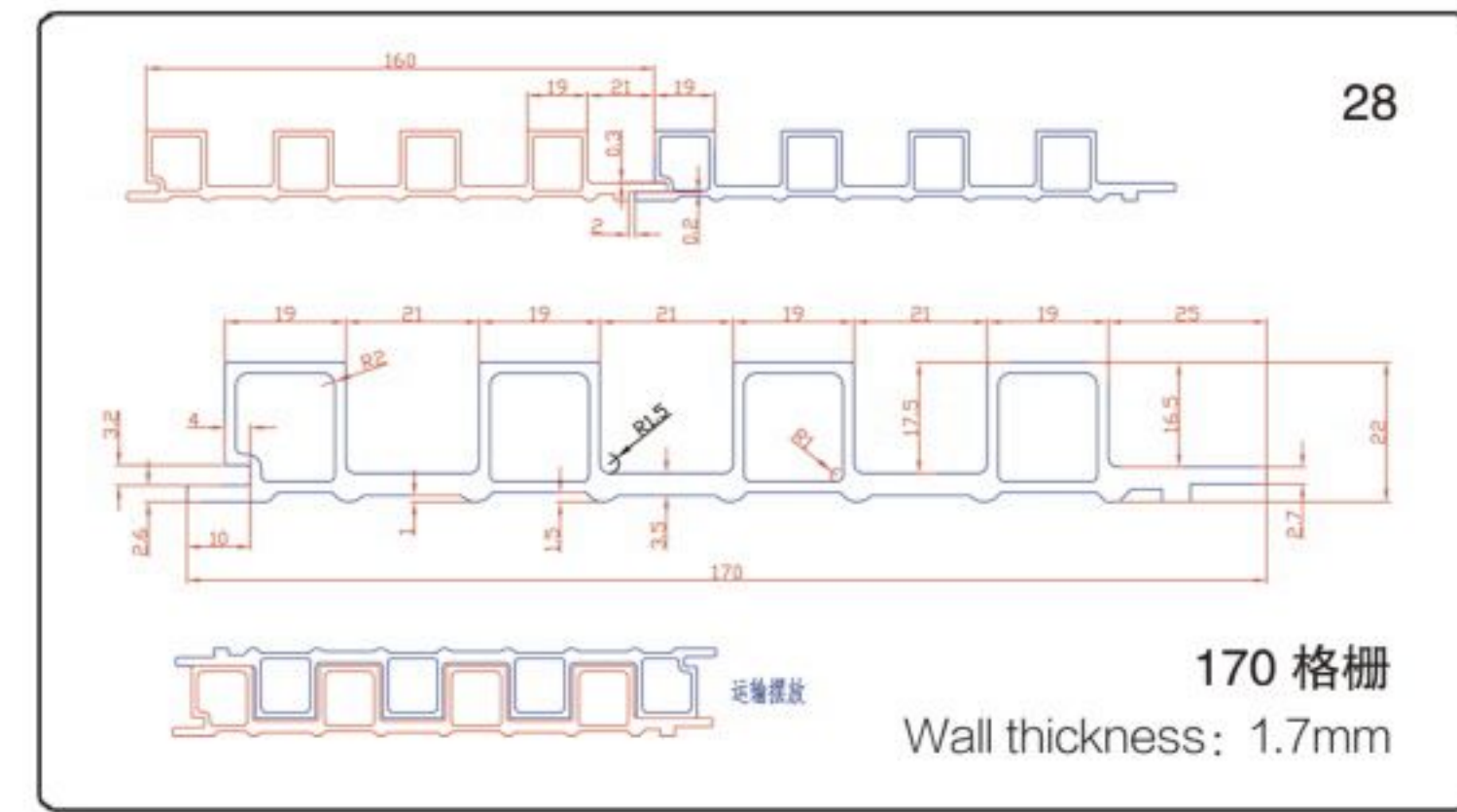


WPC-11

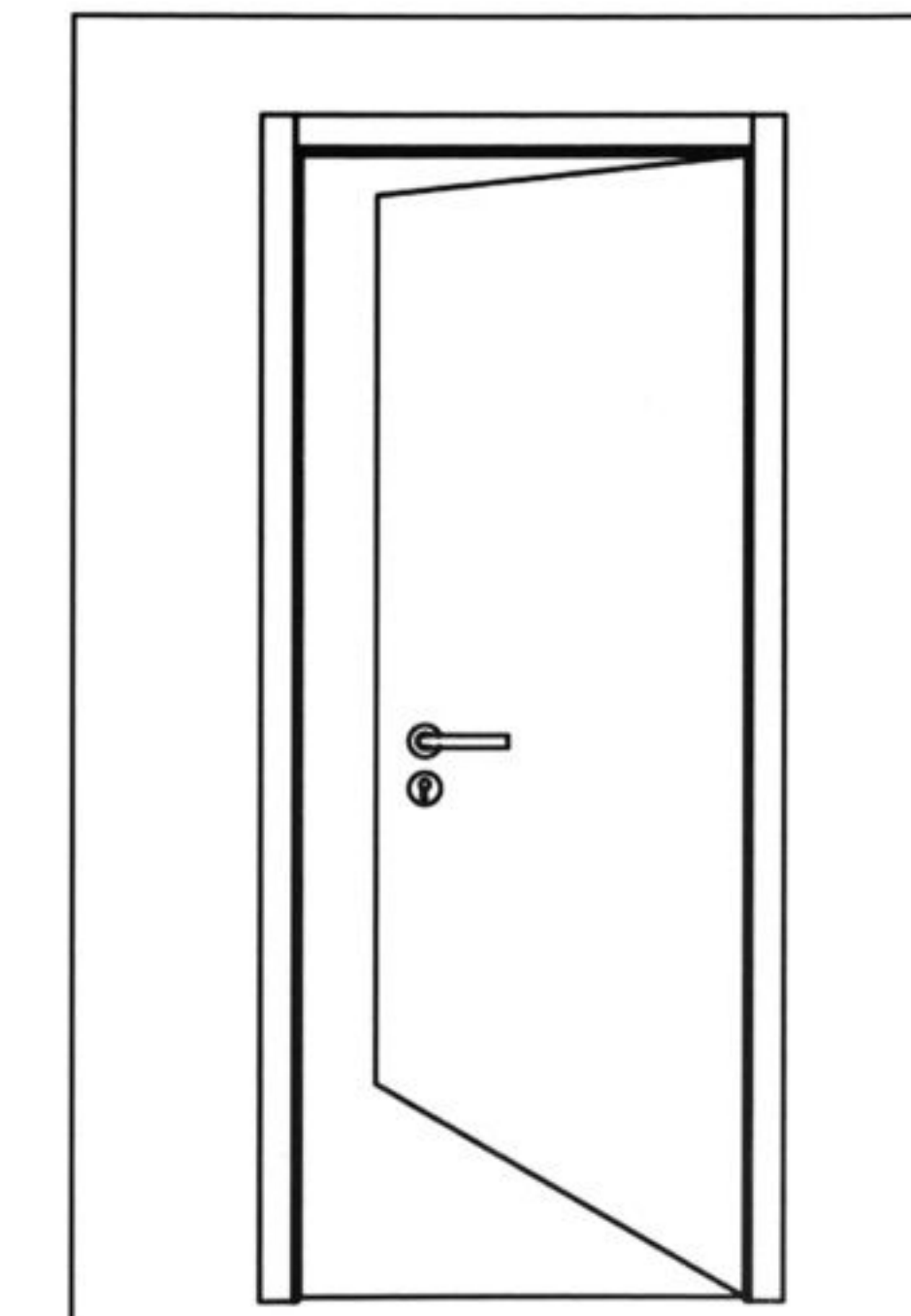


WPC-12

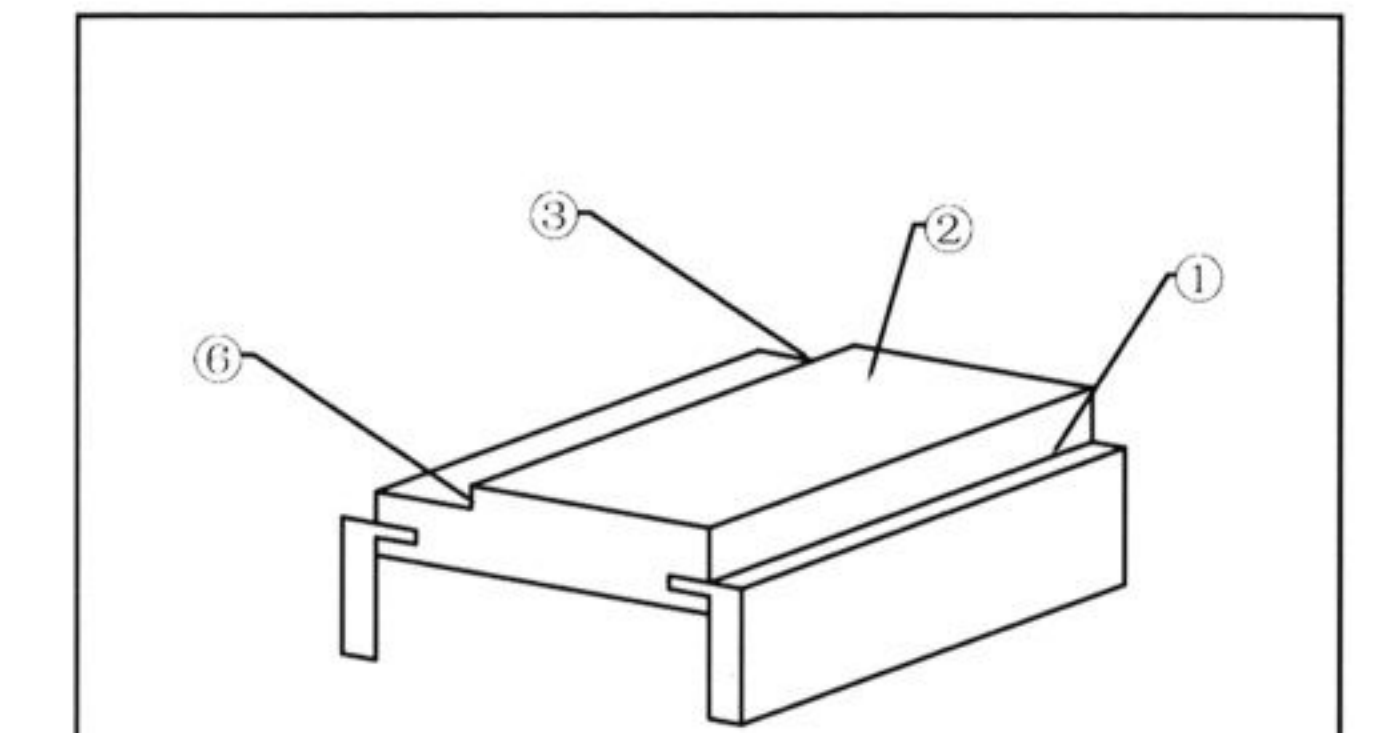




Door&frame installation



Door View



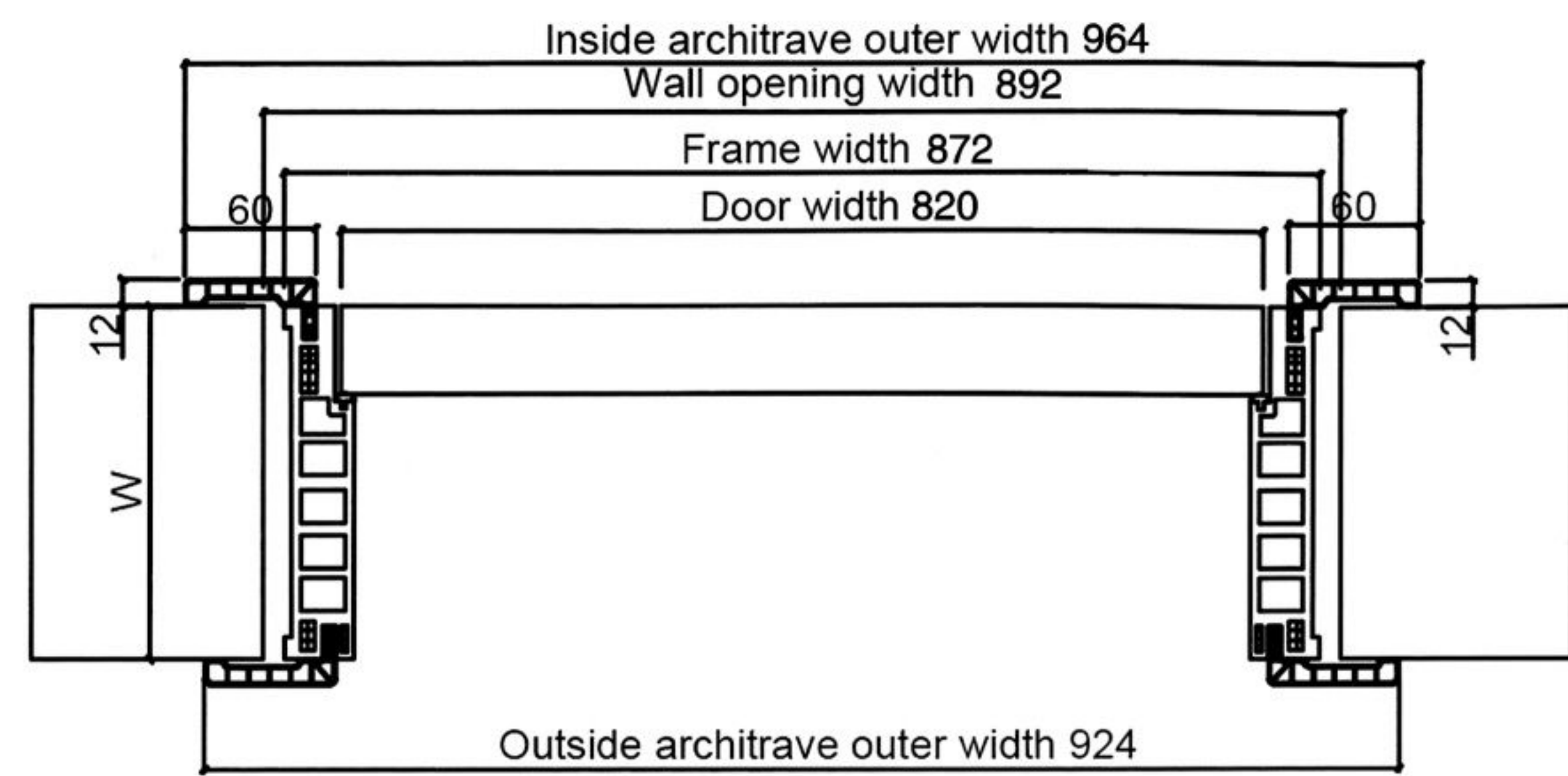
- ① 门套线 Casing
- ② 组合门套板 Frame
- ③ 门档条 Door Stopper
- ④ 木螺钉 Screw 4 × 15
- ⑤ 木螺钉 Screw 4 × 60
- ⑥ 封闭隔音条 Rubber Seal

Frame View

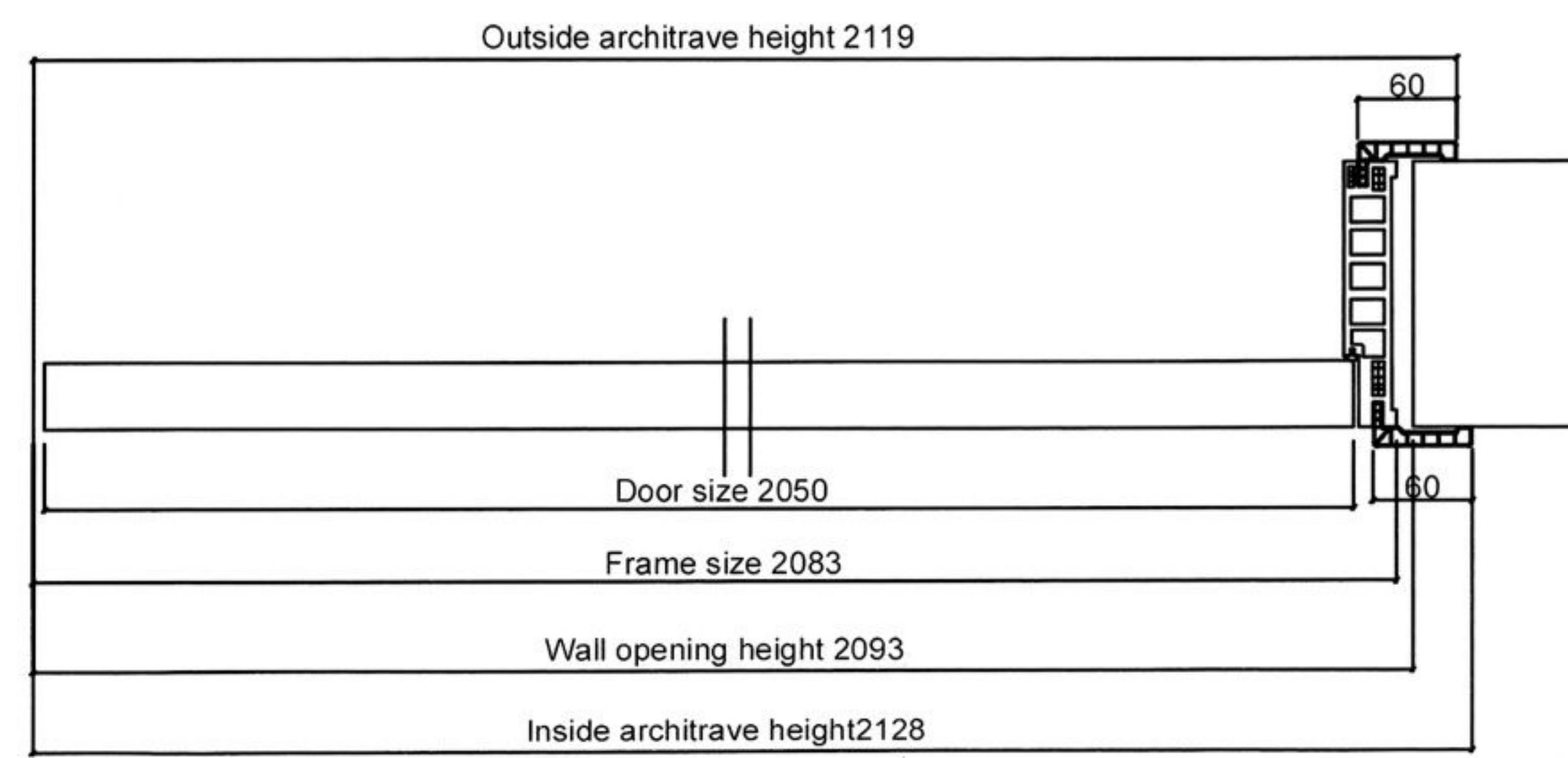
## Installation steps

1. Preparation before installation
2. Assemble the door cover
3. Apply foaming agent
4. Install the hinge
5. Install the door lock
6. Adjust the door gap
7. Install the line
8. Install the door stopper
9. Apply the sealant
10. Clean

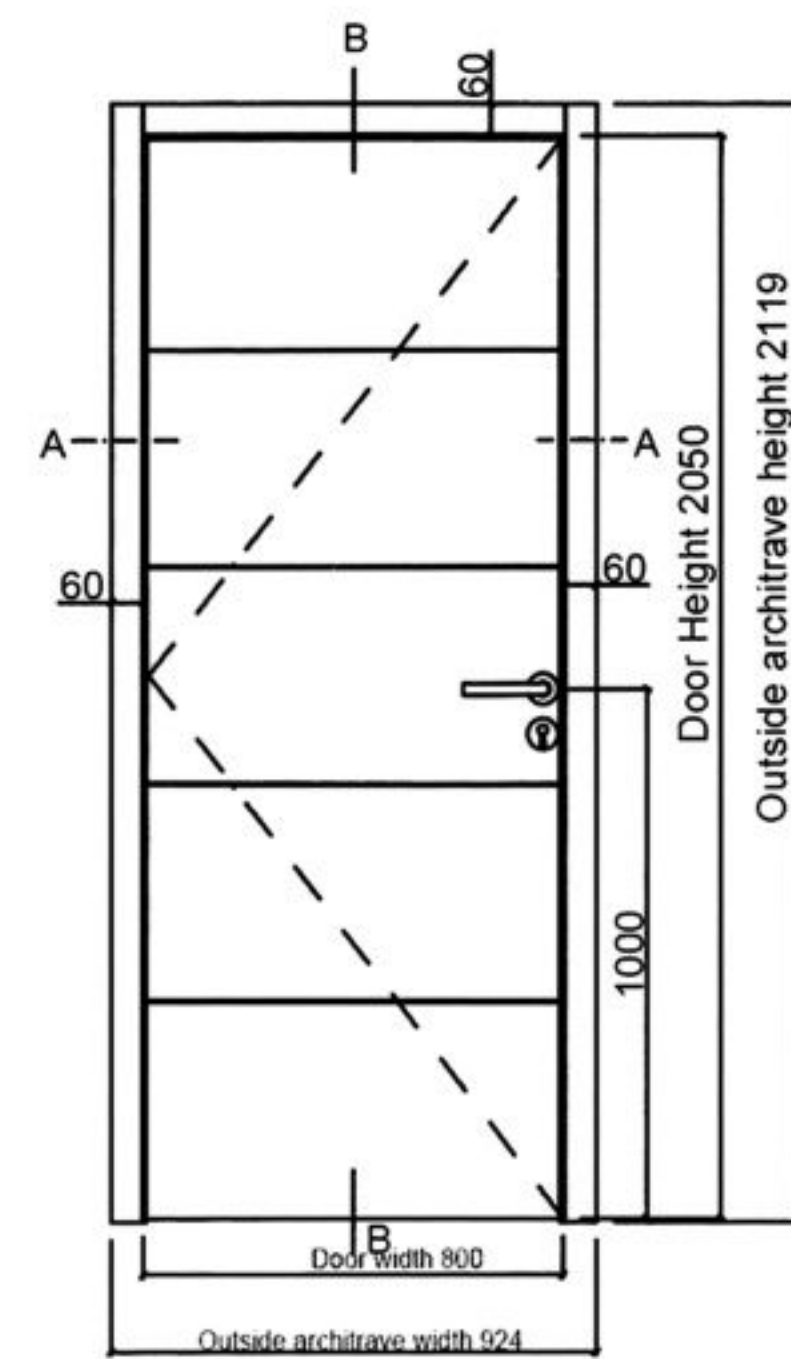
# Installation diagram



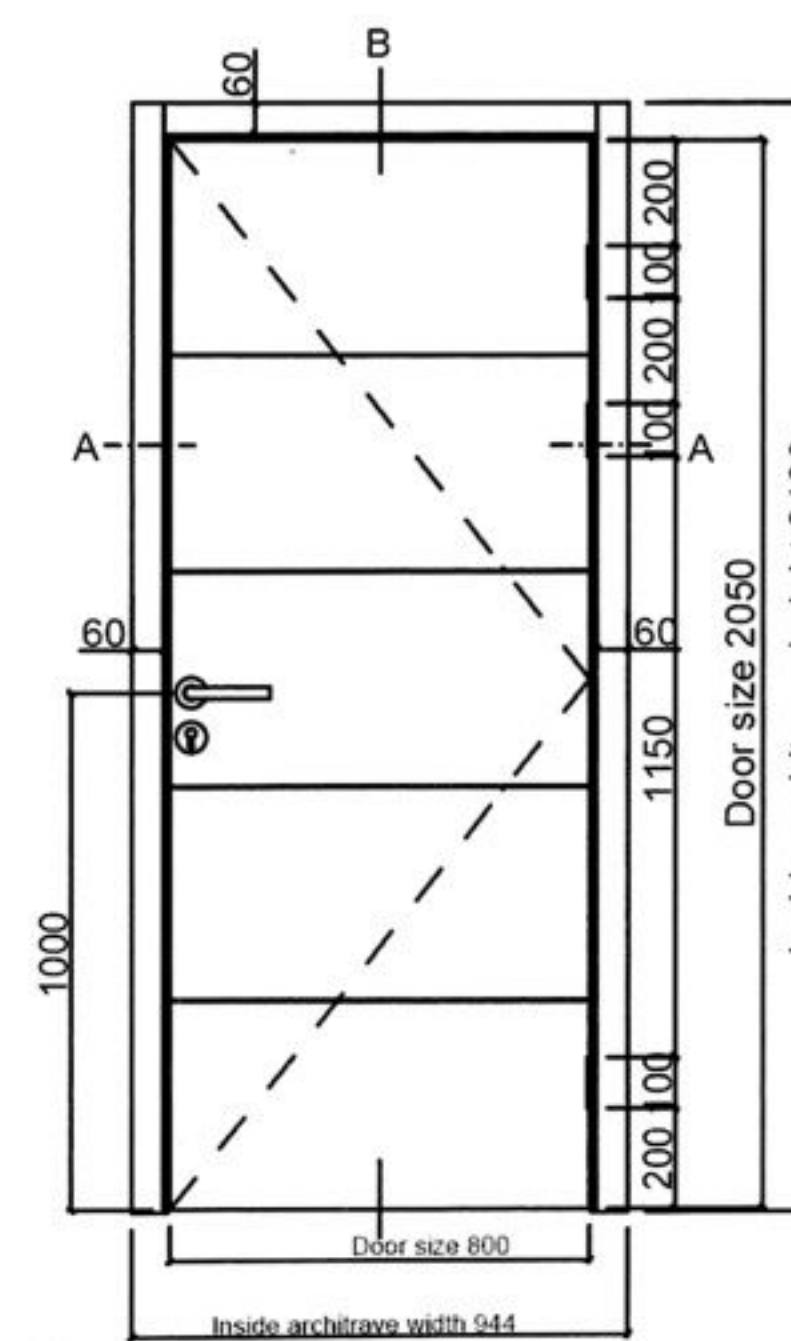
A-A



B-B



EXTERNAL VIEW



EXTERNAL VIEW

