



The Prestige Series- WPVC Doors & Wall Pannels For Interiors

+971 502307822
Web:www.targetspecialties.com
Add:NR32 1HB, London Road North
Lowestoft, United Kingdom.



Invisible Door Series

Concealment: Invisible doors typically seamlessly integrate with walls or other structures, enhancing the overall aesthetics and sense of space in a room.

Space-saving: Since invisible doors do not require space to swing open, they can save indoor space.

Innovation: The design of invisible doors requires innovative and precise engineering techniques to ensure smooth operation, safety, and reliability without compromising the stability of the overall architectural structure.

Aesthetic effect: Invisible doors are usually designed with elegance, enhancing the quality of interior decoration and imparting a sense of sophistication and style.

Privacy: Invisible doors can provide higher levels of privacy.

YX-01



YX-02



YX-03



YX-04

6 CM Door Series

NEW DESIGN 6CM DOOR SHUTTER

Improved soundproofing.
Higher stability and
reduced risk of
deformation
Can make taller
shutter as well



6PZ-1



6PZ-2

6PZ-3

6PZ-4

6PZ-5

Flat Panel Series



PTM-02



PTM-03



PTM-04



Flat Panel Series



PTM-05



PTM-06



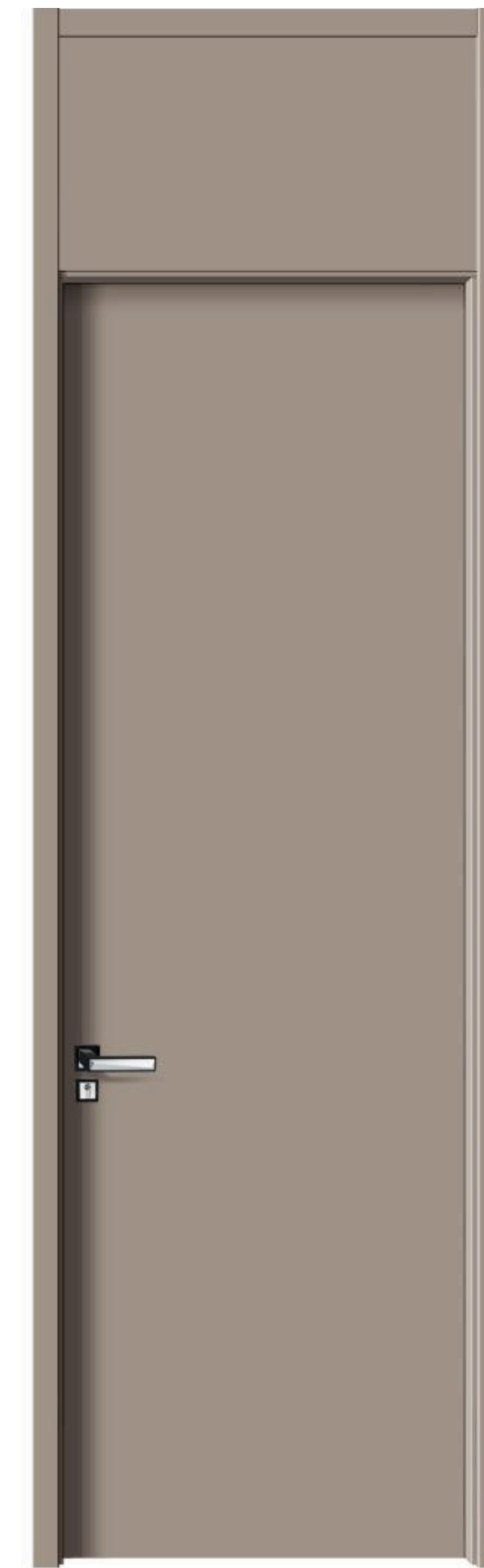
PTM-07



PTM-08



Flat Panel Series



PTM-10



PTM-11



PTM-12



Flat Metal Strip Series



GT-01



GT-02



GT-03



GT-04



Flat Metal Strip Series



GT-05



GT-06



GT-07



GT-08



Splice And Inlay Series



GT-10

GT-11

GT-12

GT-13

Splice And Inlay Series



GT-14

GT-15

GT-16

GT-17

GT-18

GT-19

GT-20

GT-21

Assembling Series



PZ-01



PZ-02



PZ-03



PZ-04



PZ-05



PZ-06



PZ-07



PZ-08



PZ-09



PZ-10



PZ-11

Assembling Series



Assembled Glass Series



PZL-01



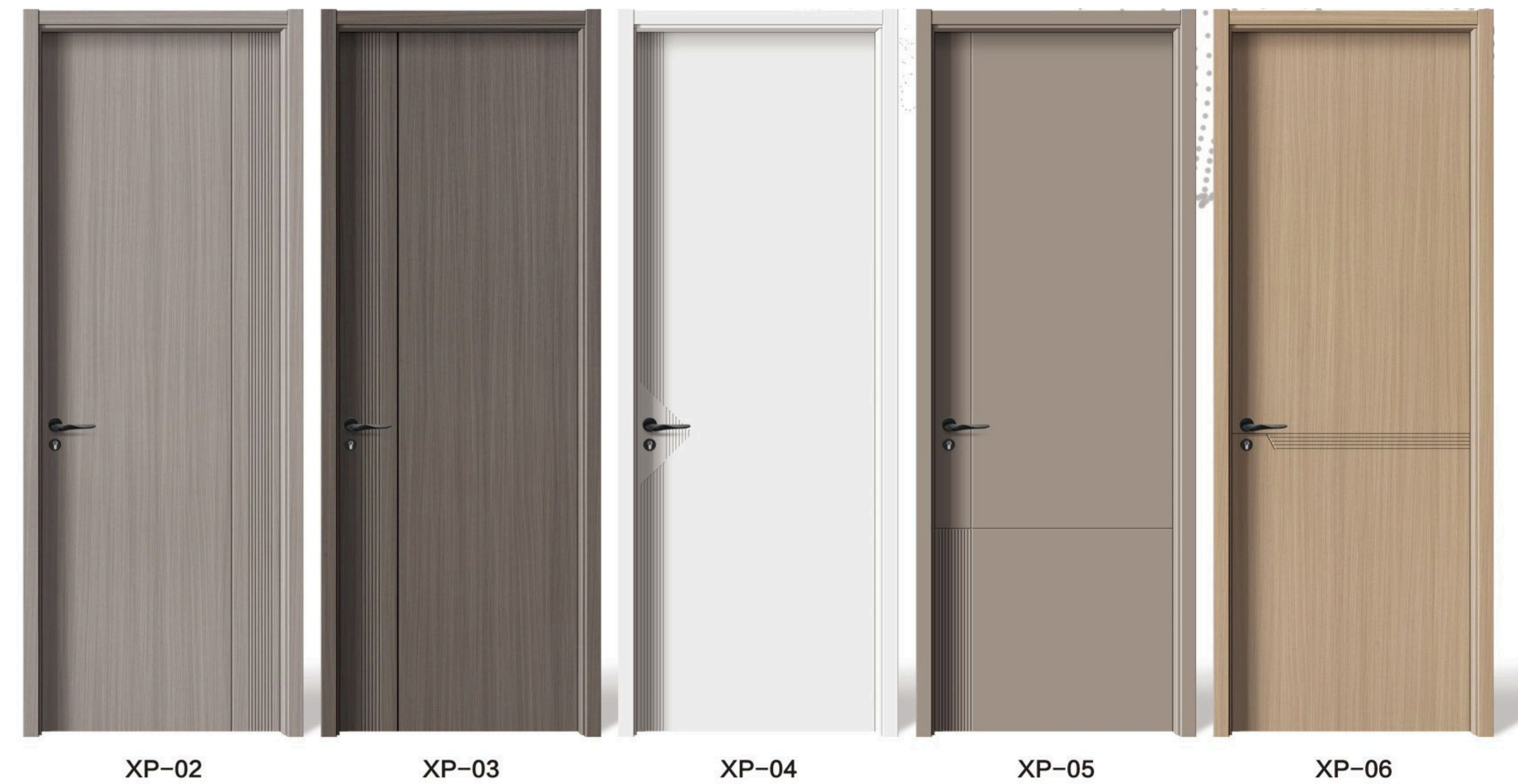
PZL-02

PZL-03

PZL-04

PZL-05

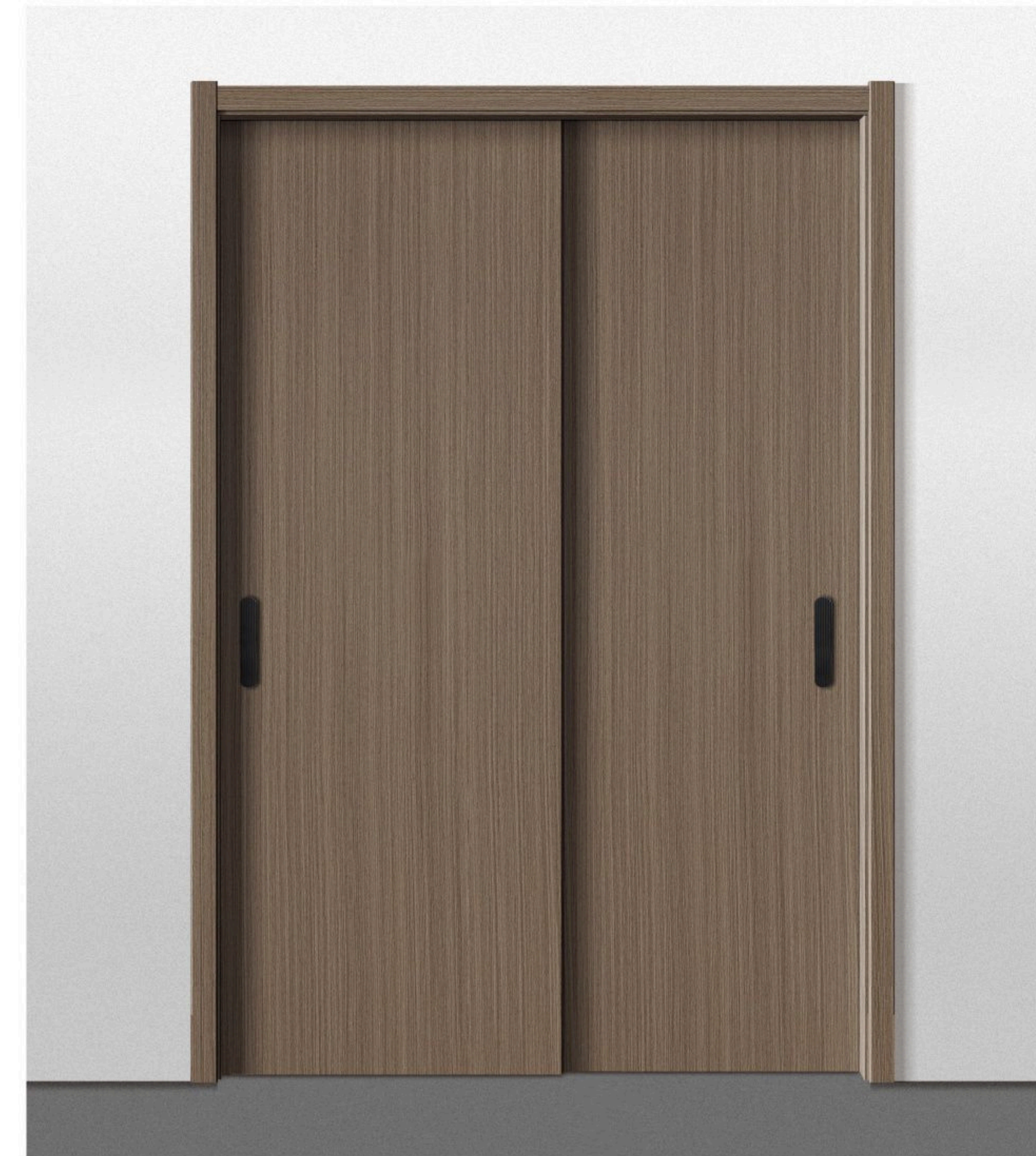
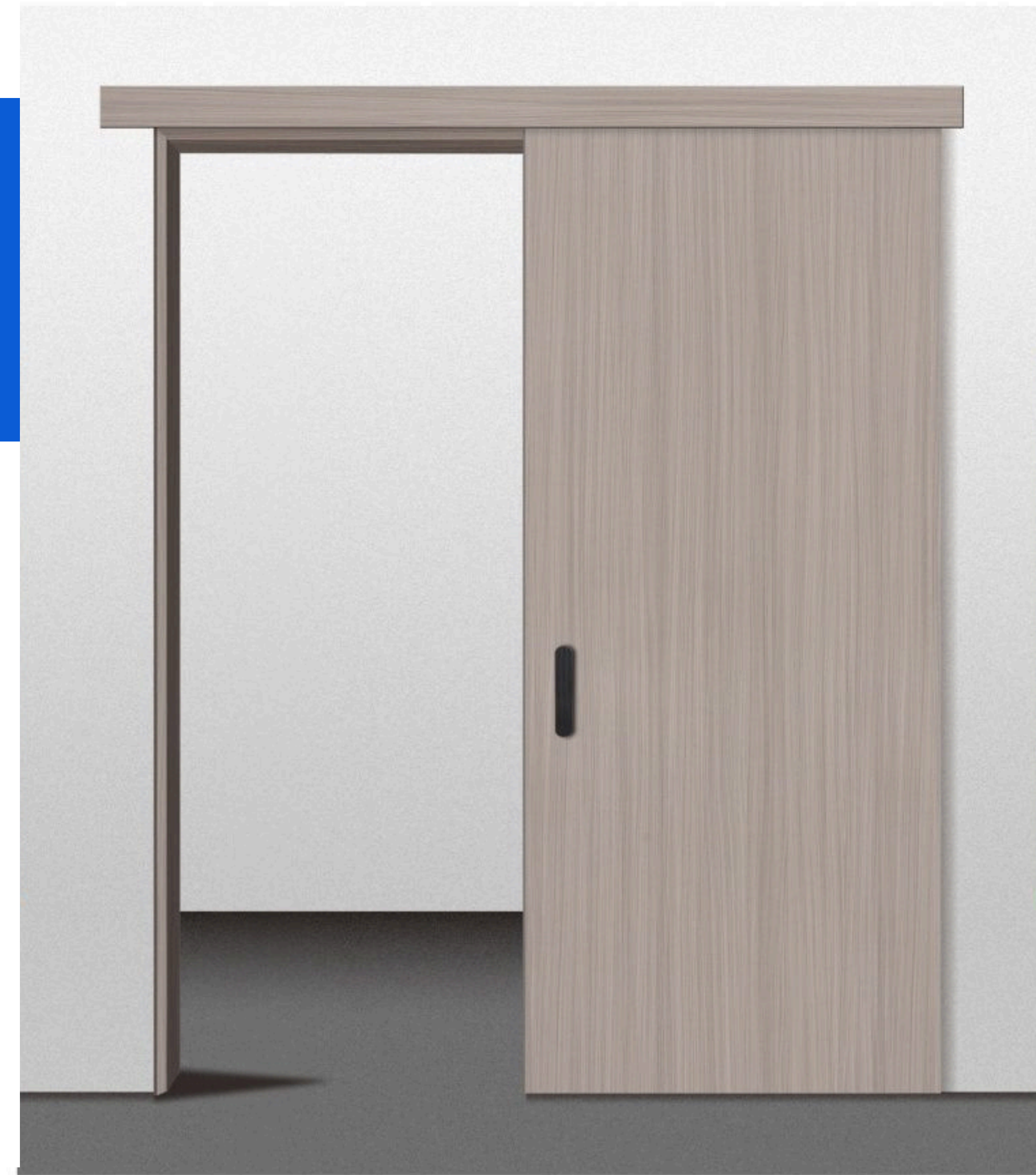
Milling Series



Assembling Series



Exterior Wall-Mounted Sliding Door



Inside Wall-Mounted Sliding Door

Between Wall-Mounted Sliding Door



A Non-Standard Door

Selective Color



Door Founder arch
TL-01



Door round arch
TL-02

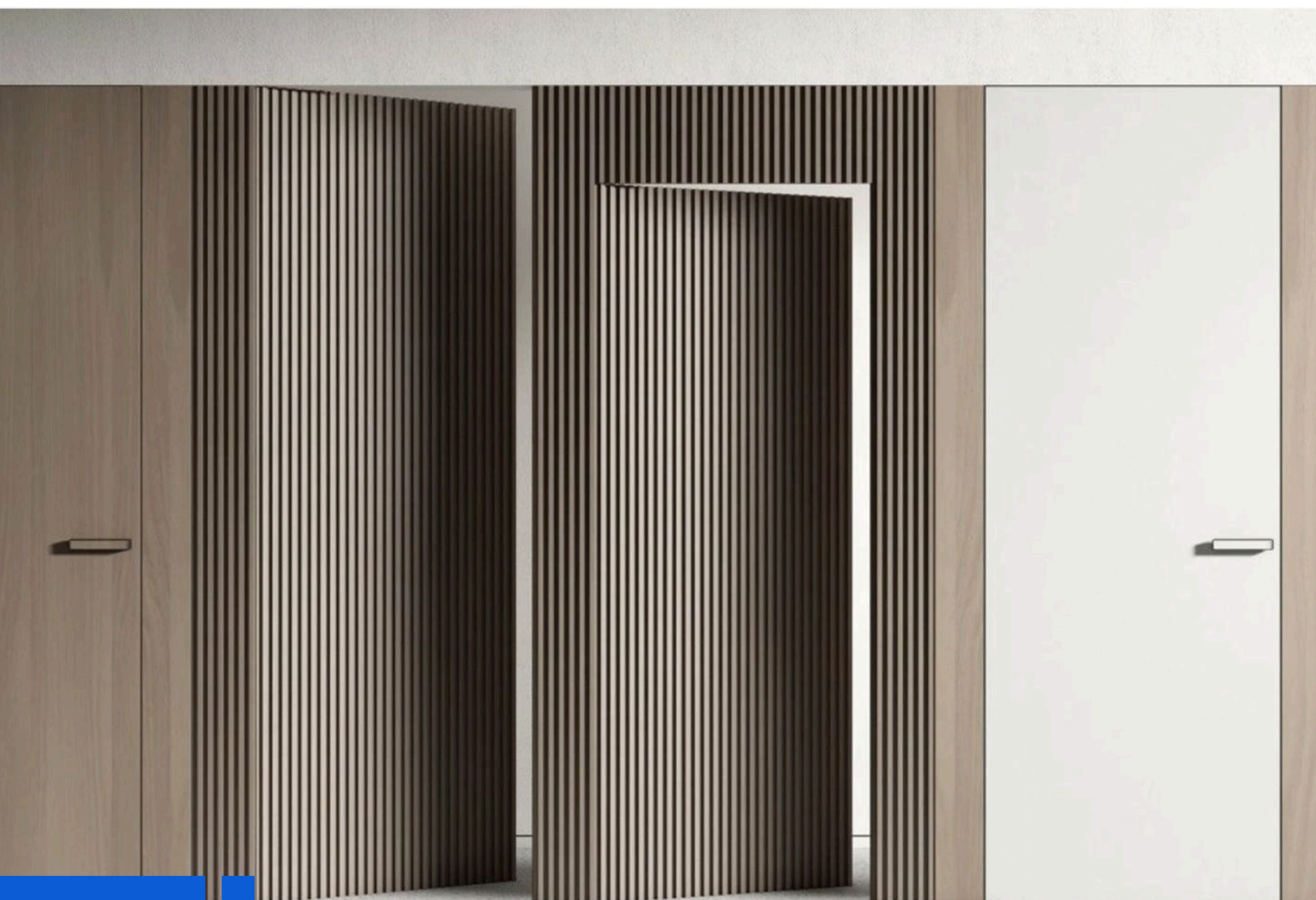


Mother and Son Door
TL-03

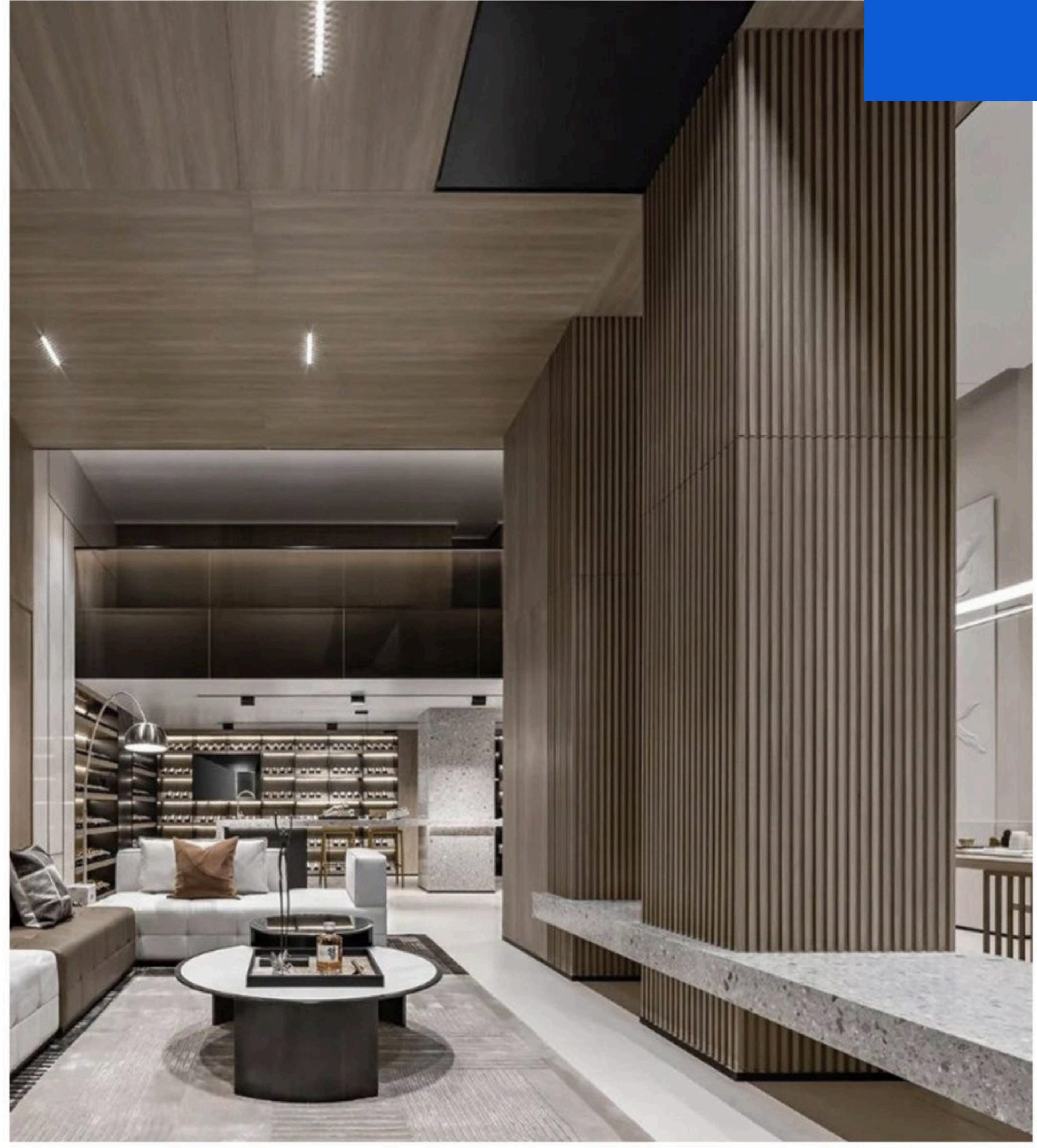


Folio door
TL-04





Grille Series



WPC-01

WPC-02



WPC-03

WPC-04



WPC-05

WPC-06



WPC-07

WPC-08

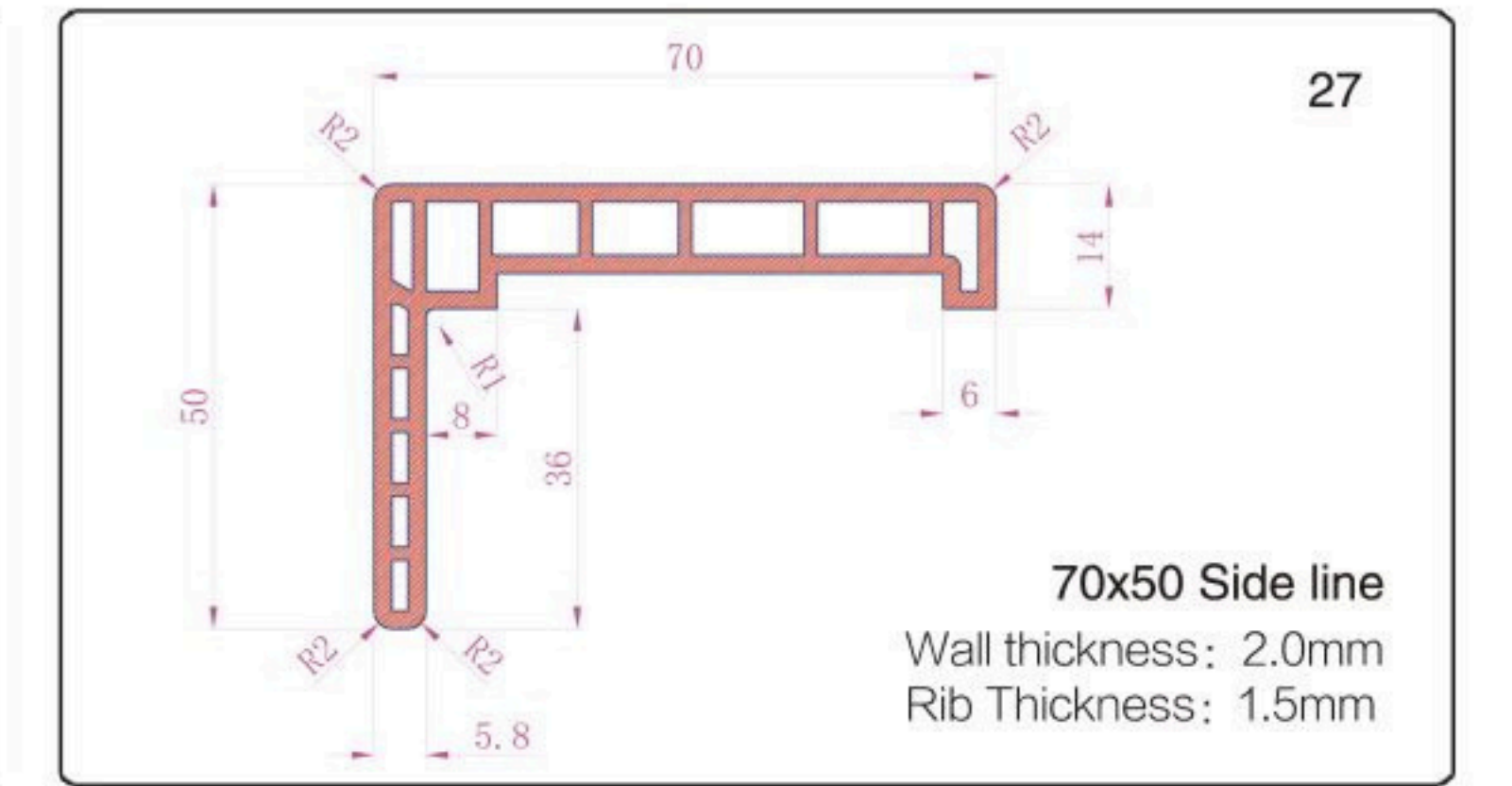
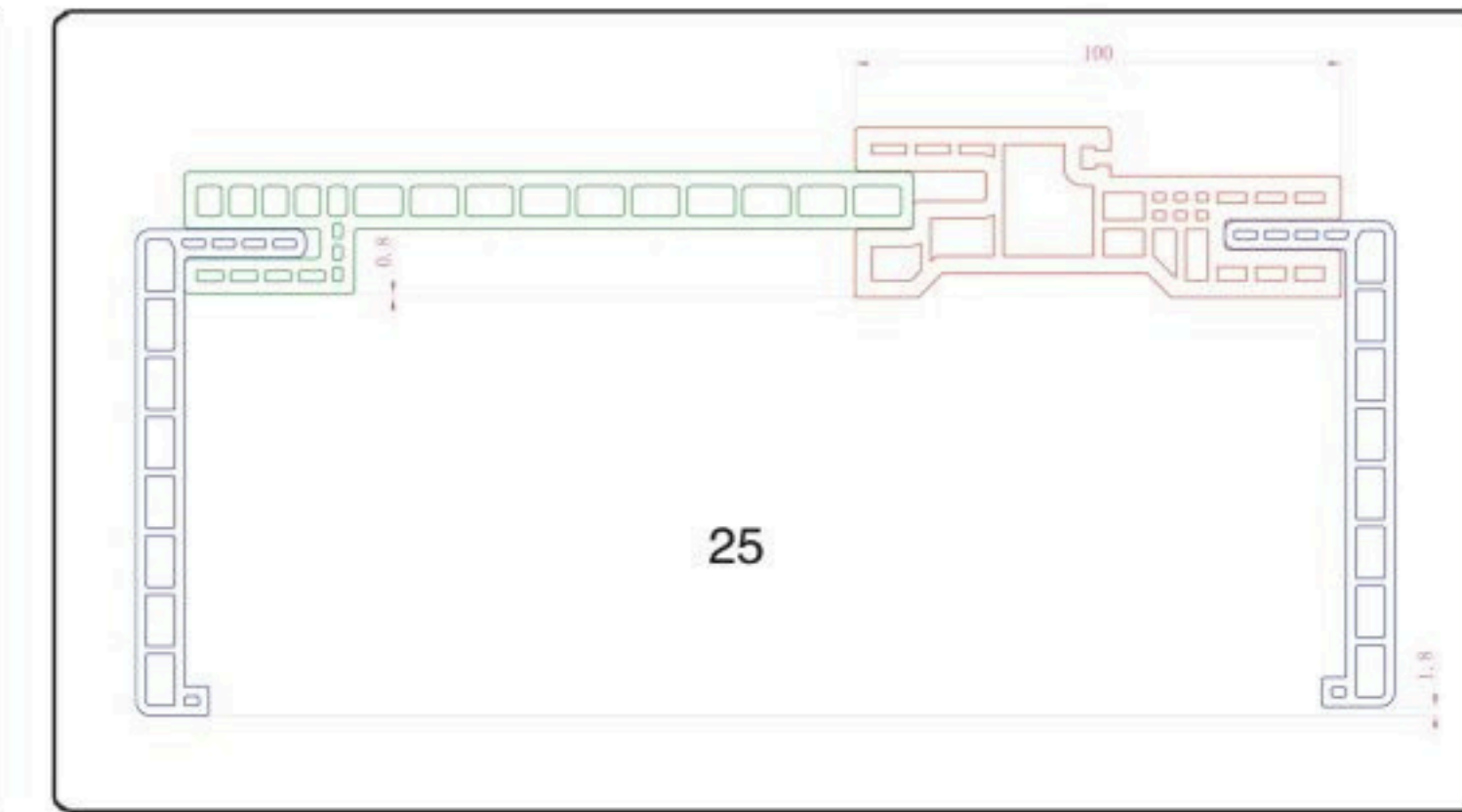
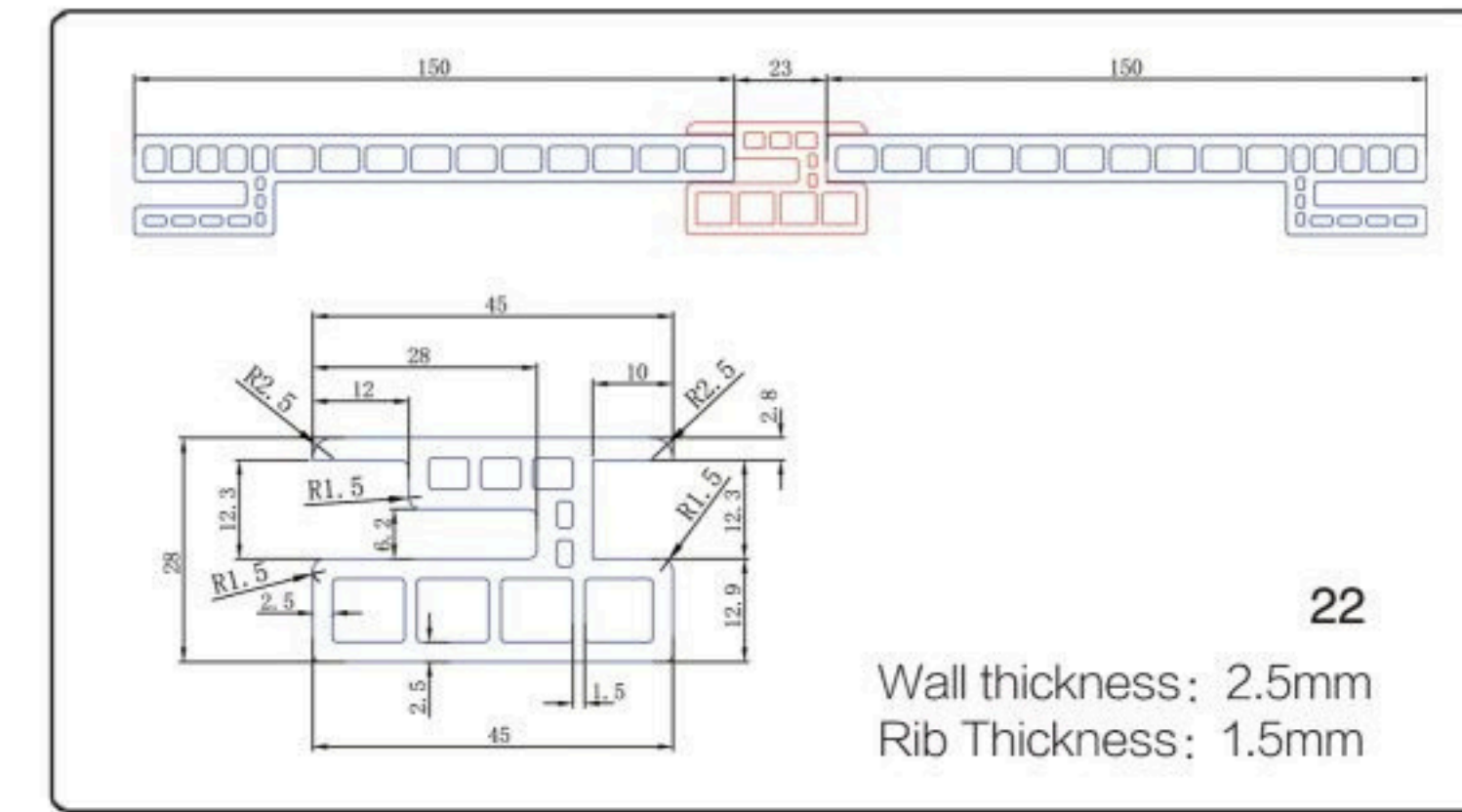
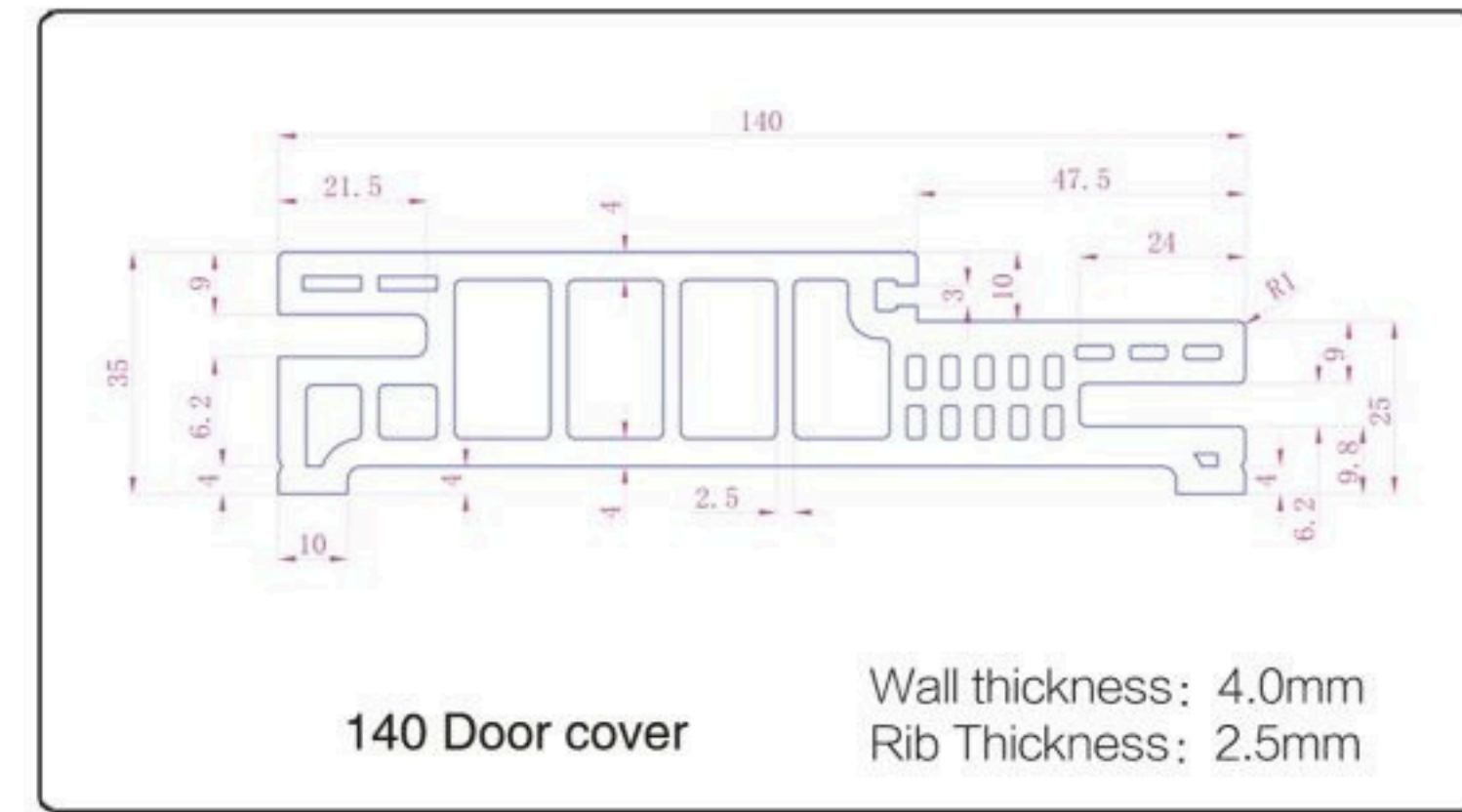
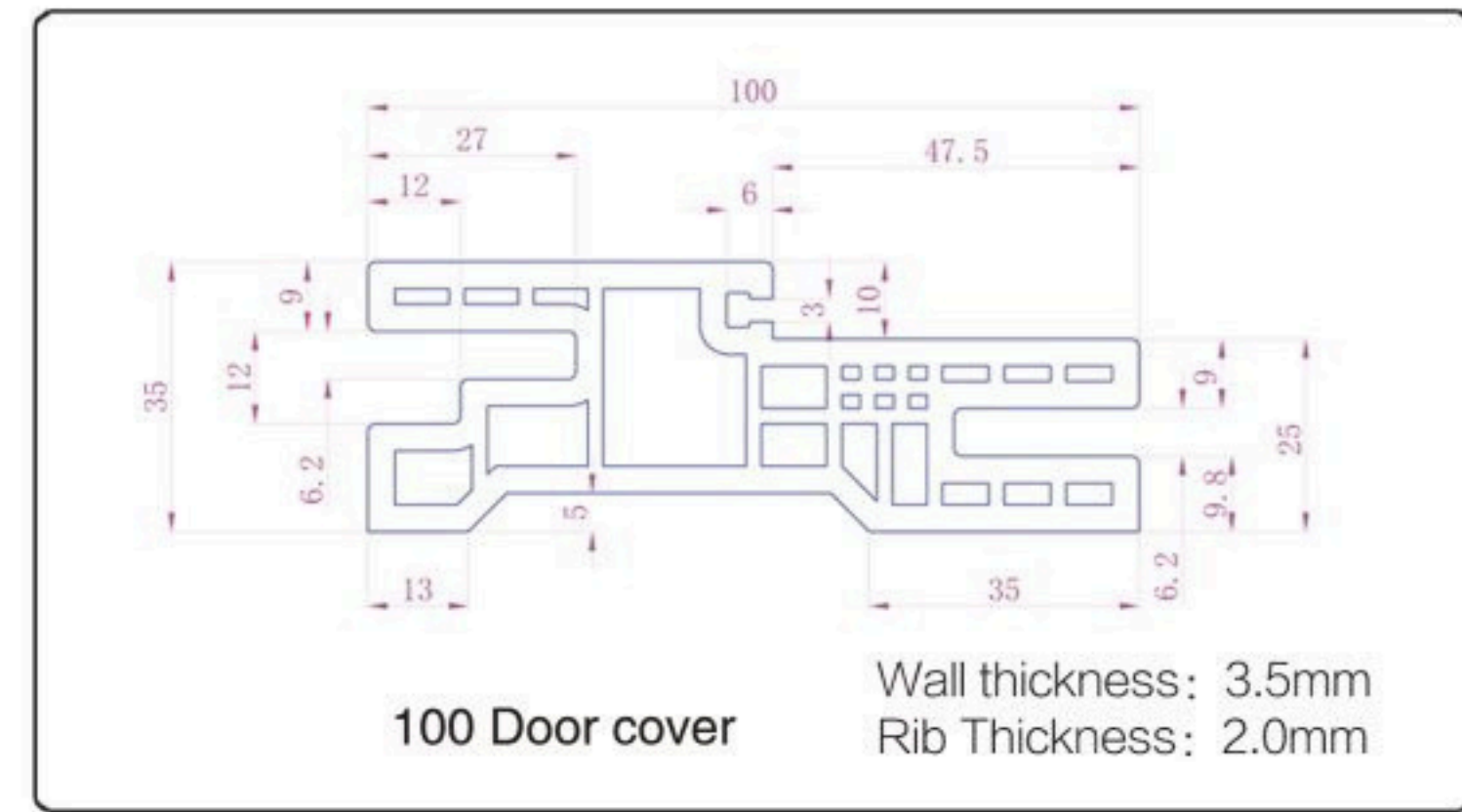
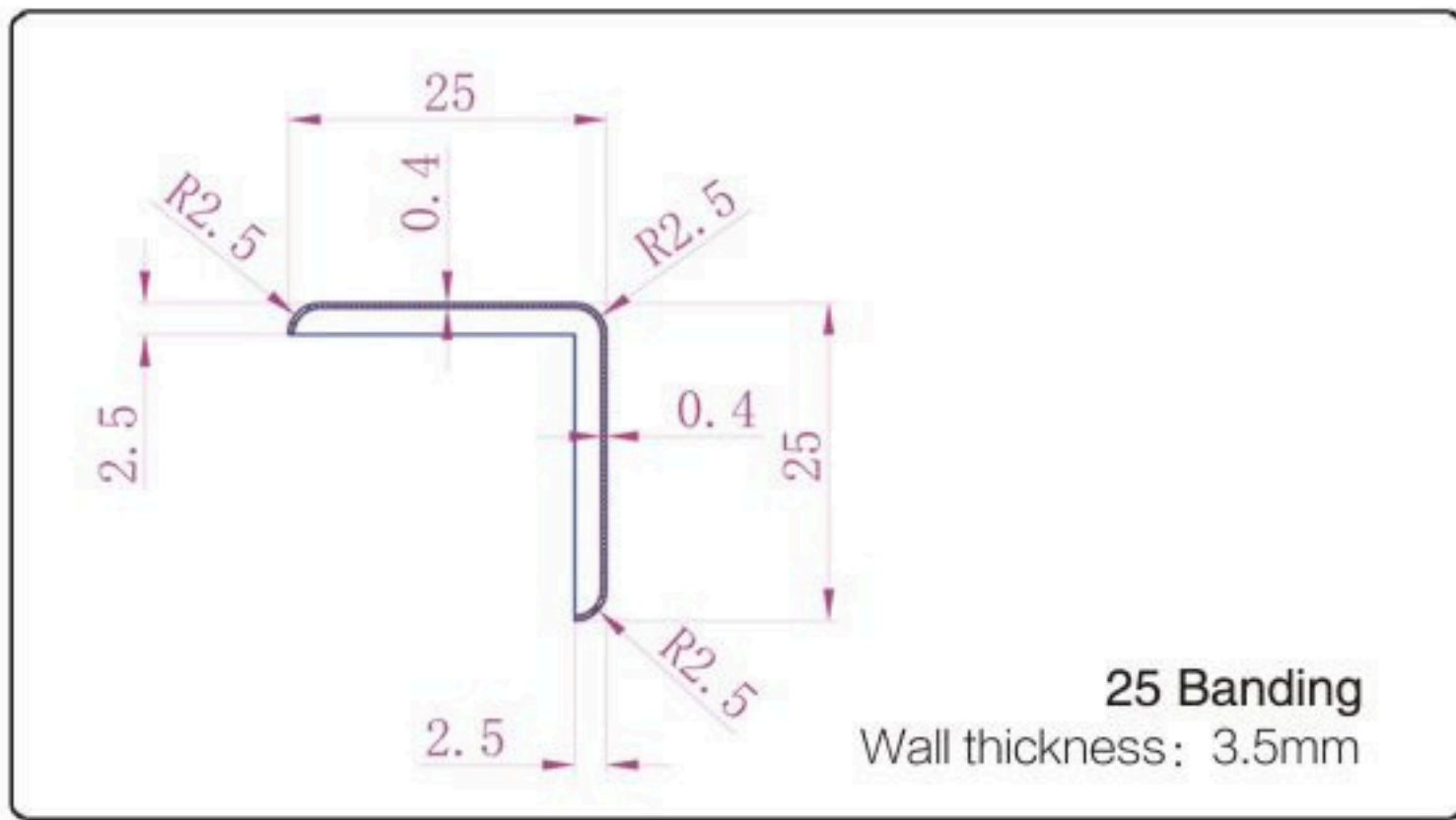
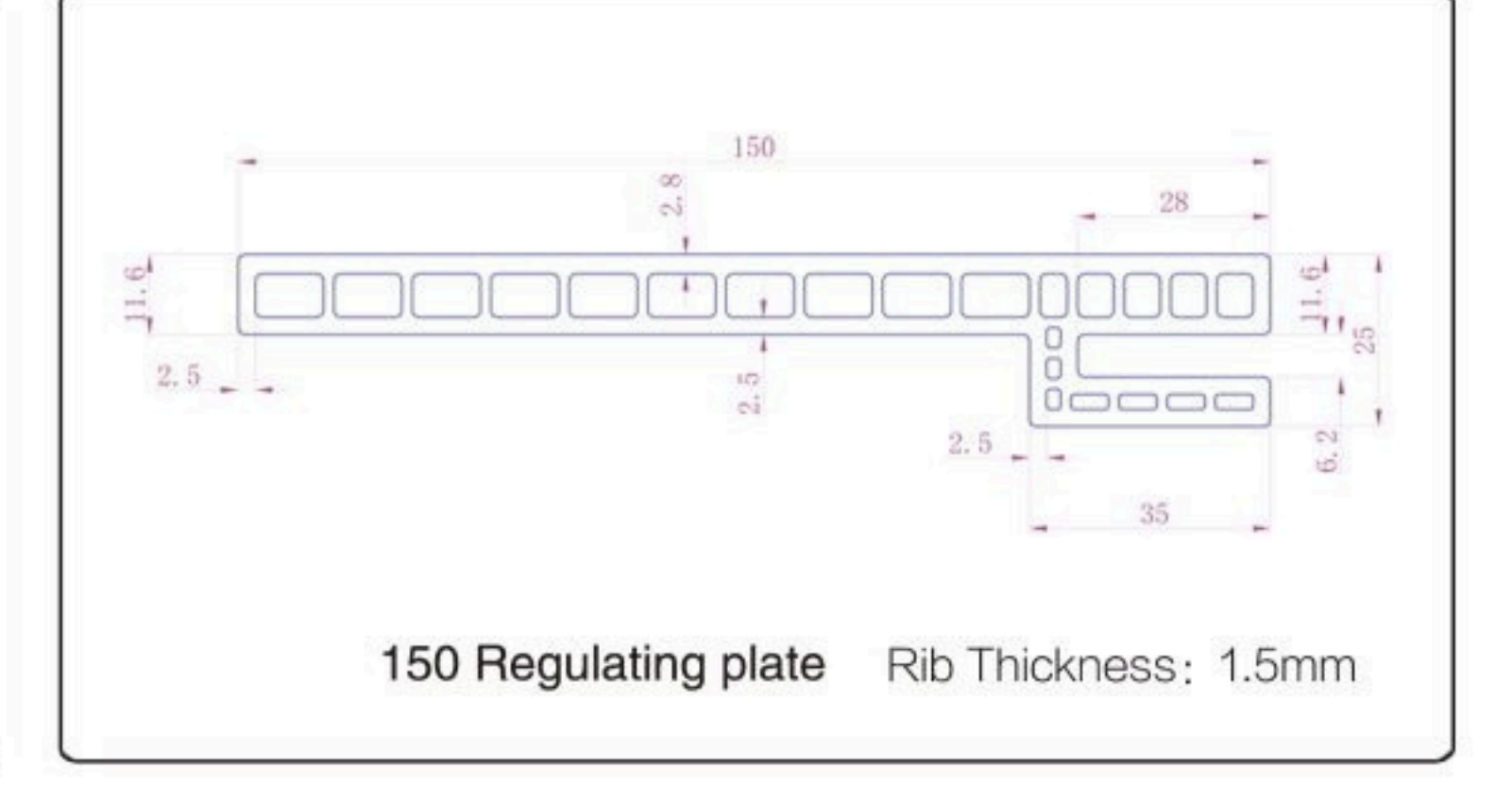
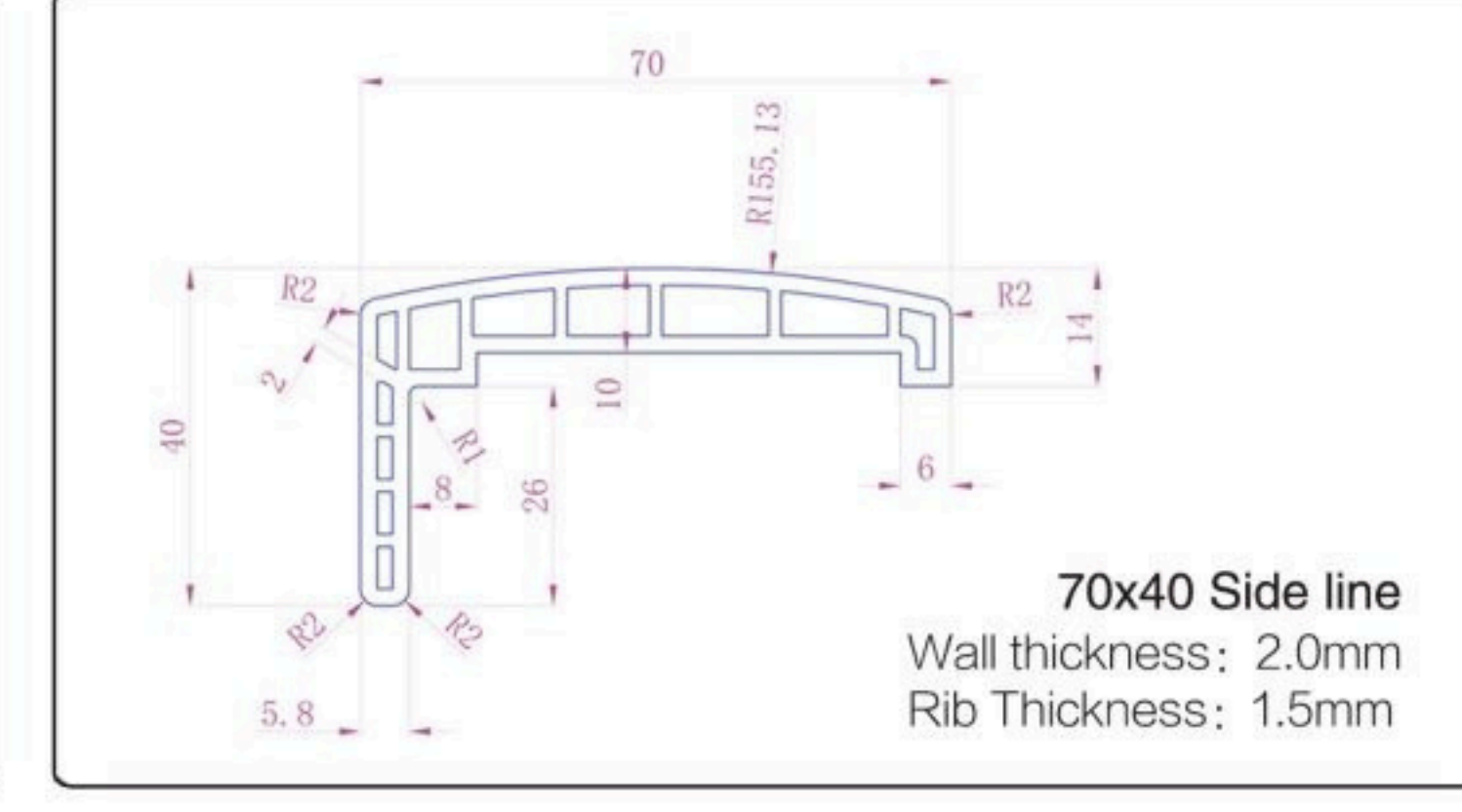
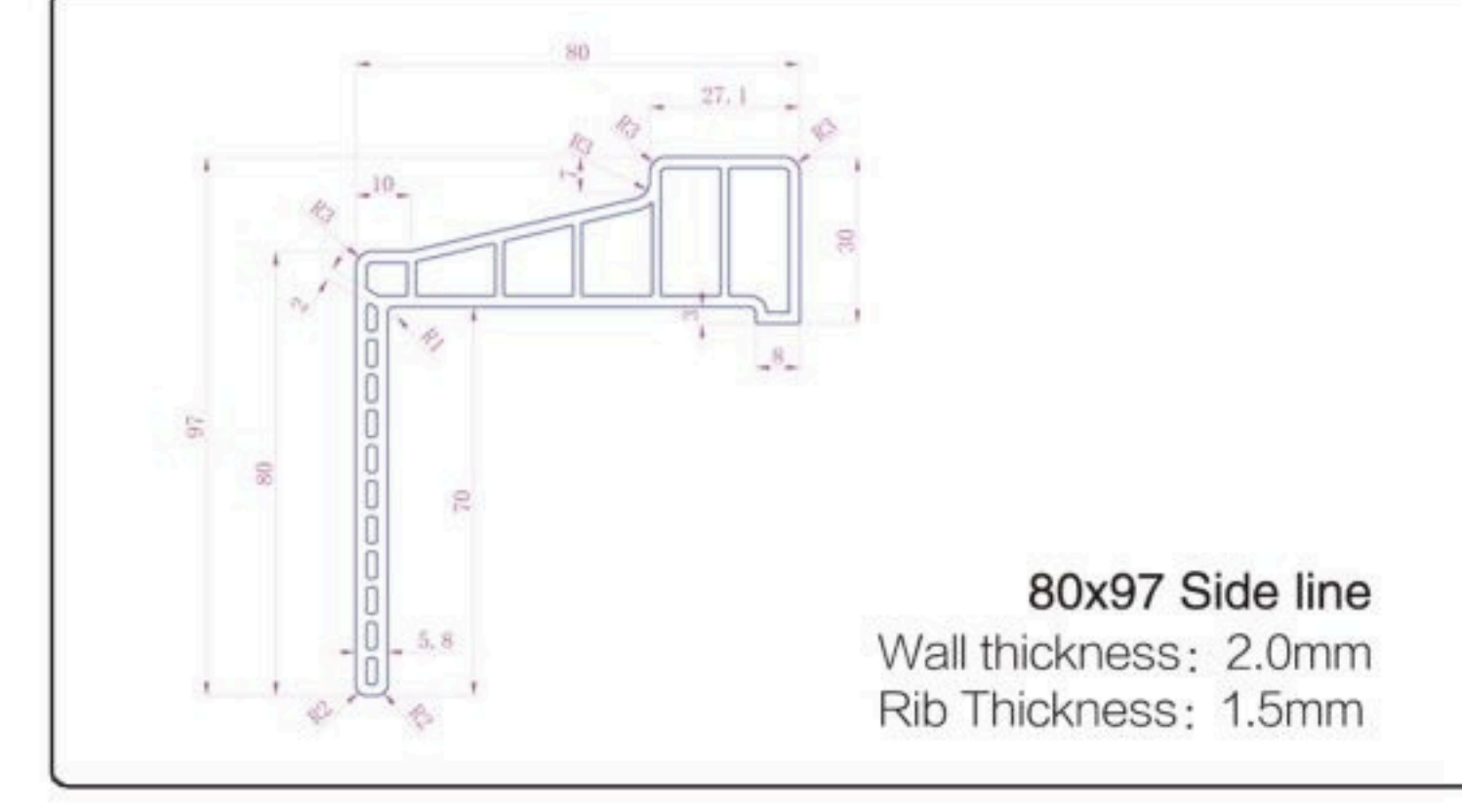
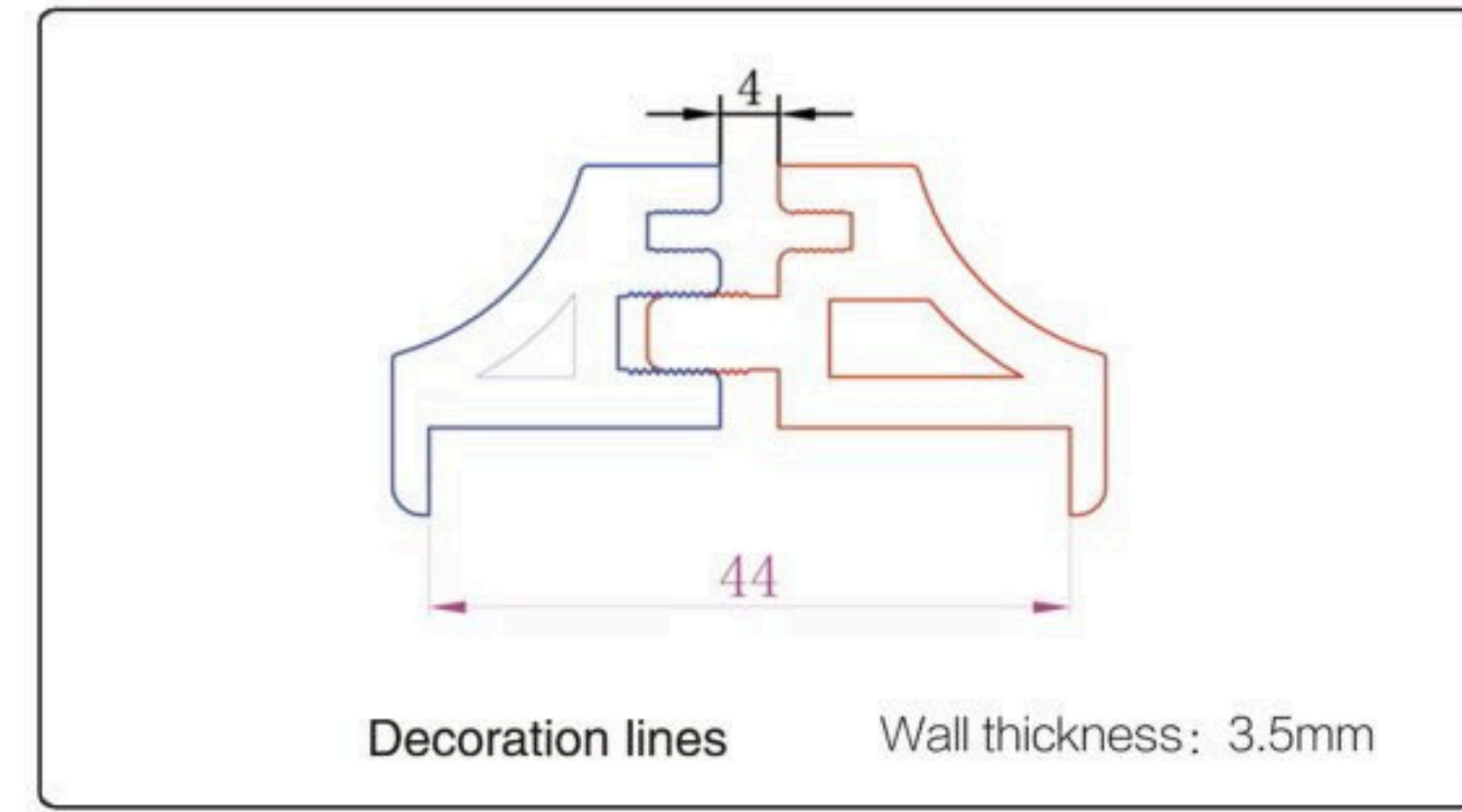
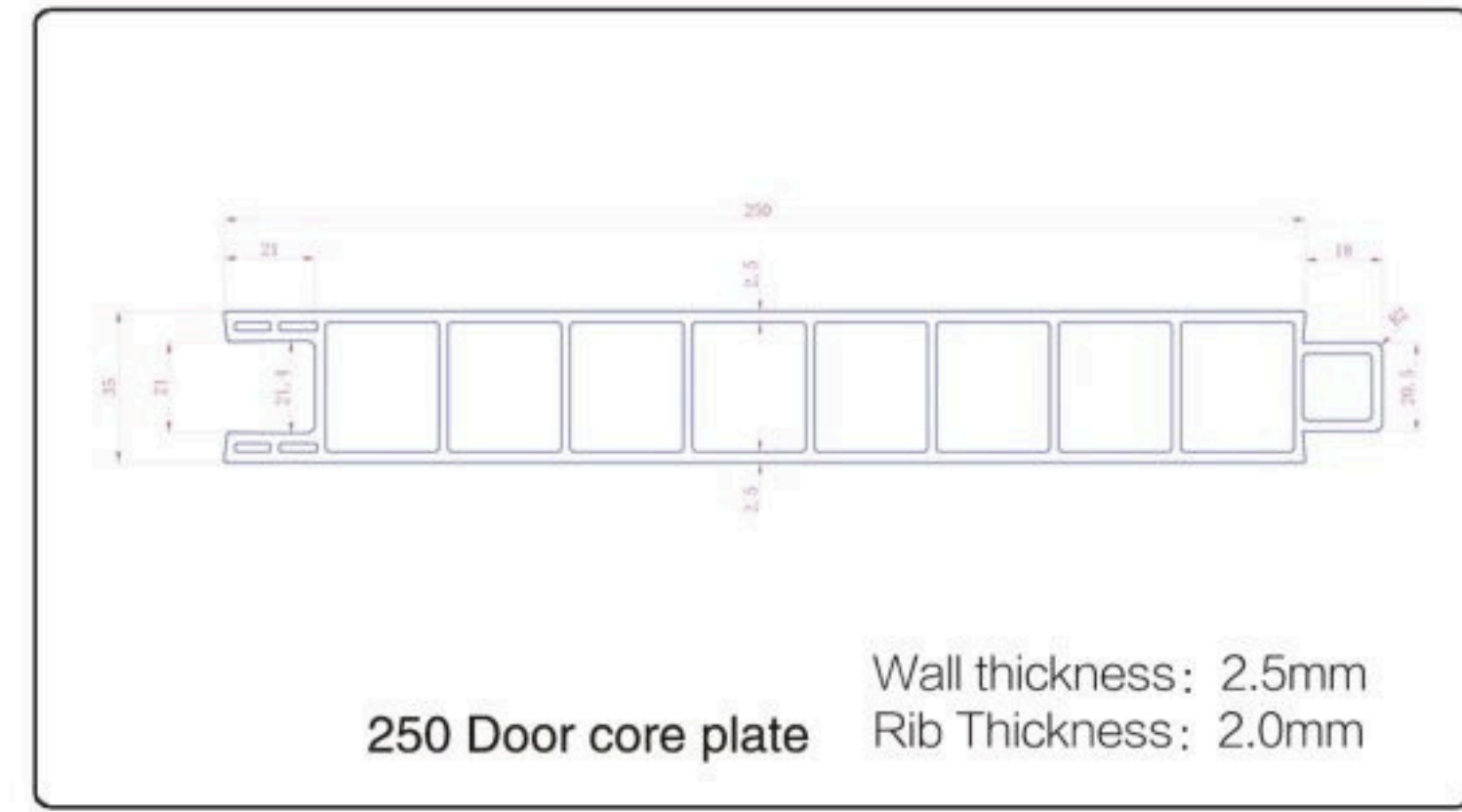
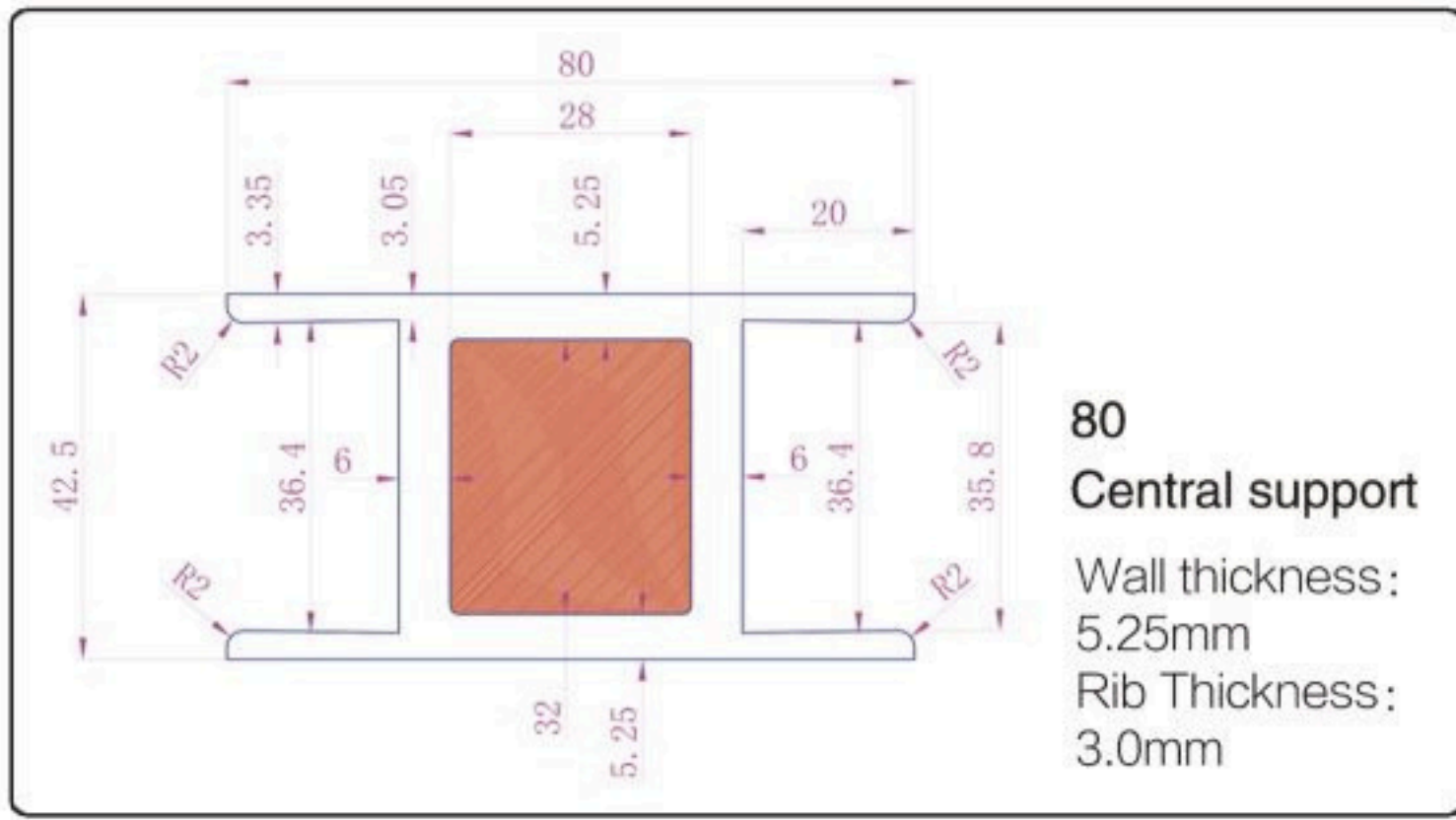
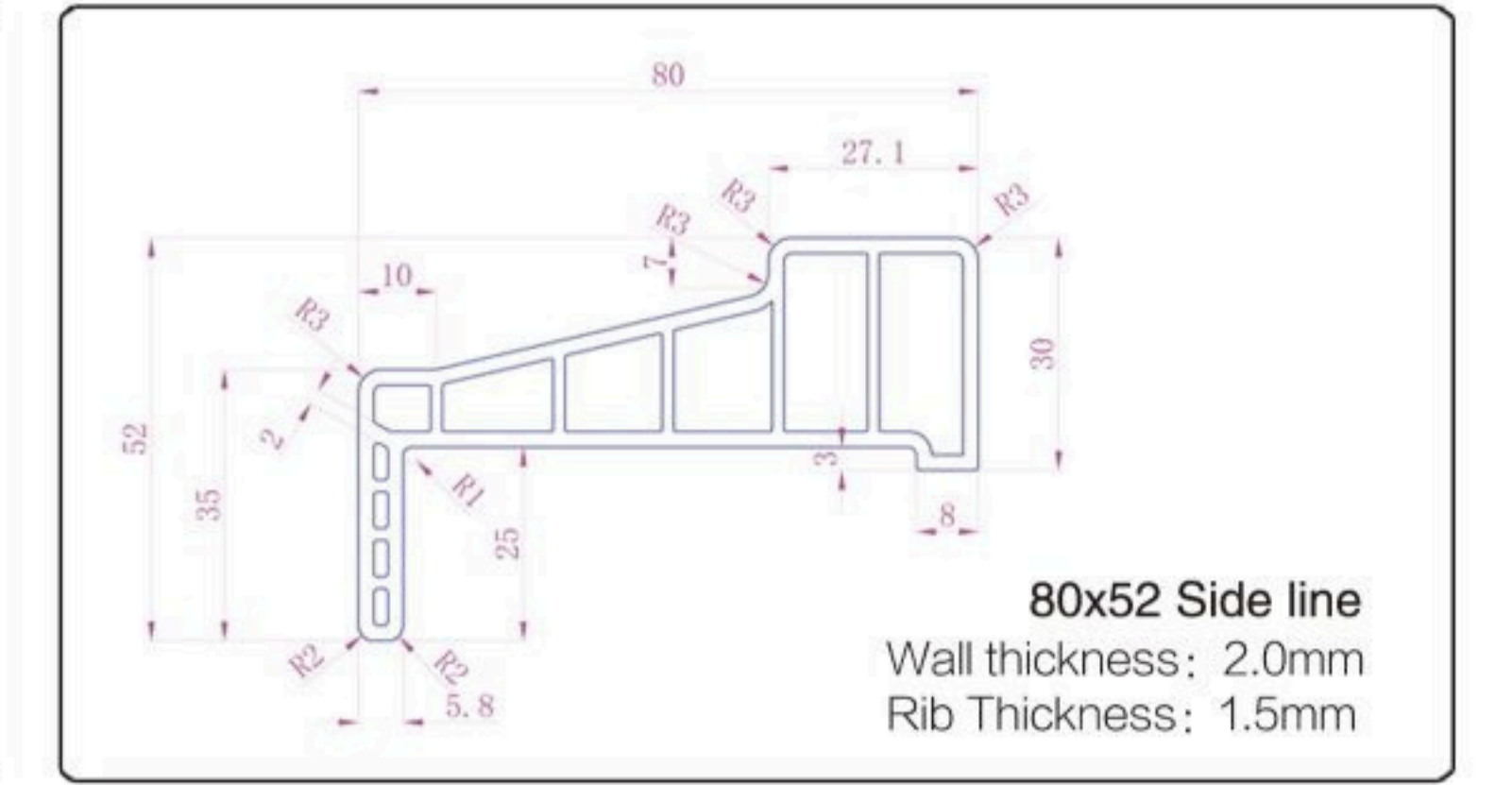
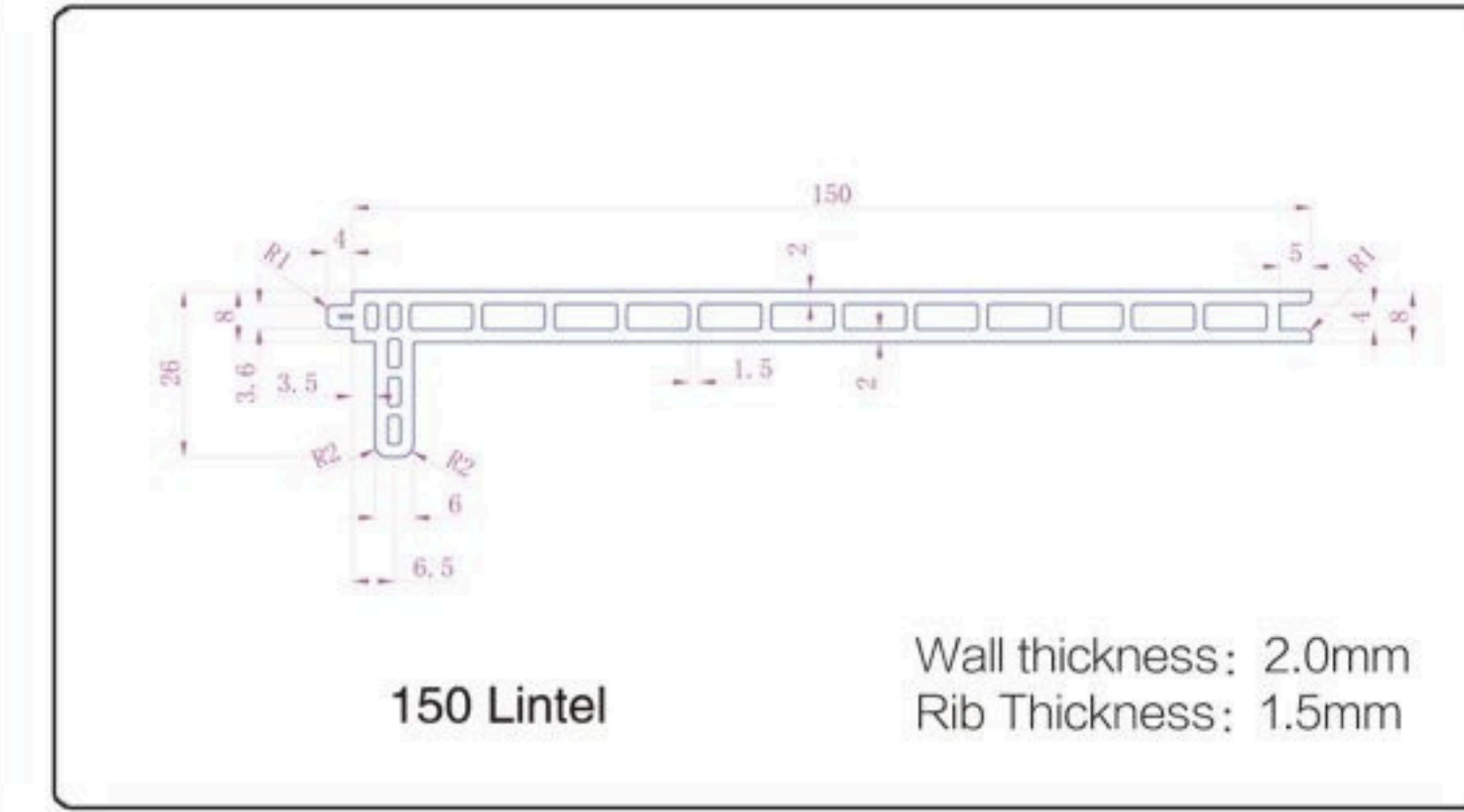
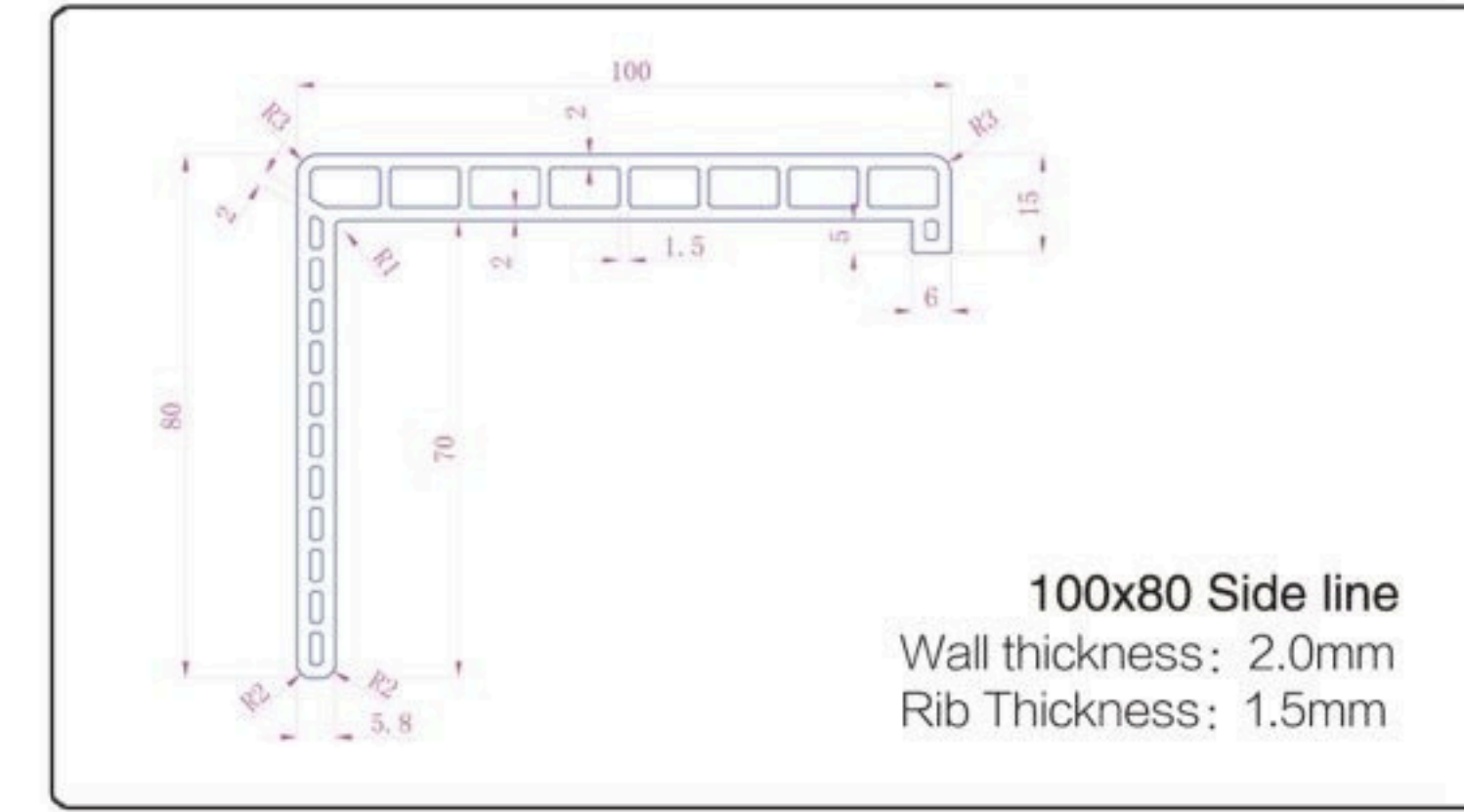
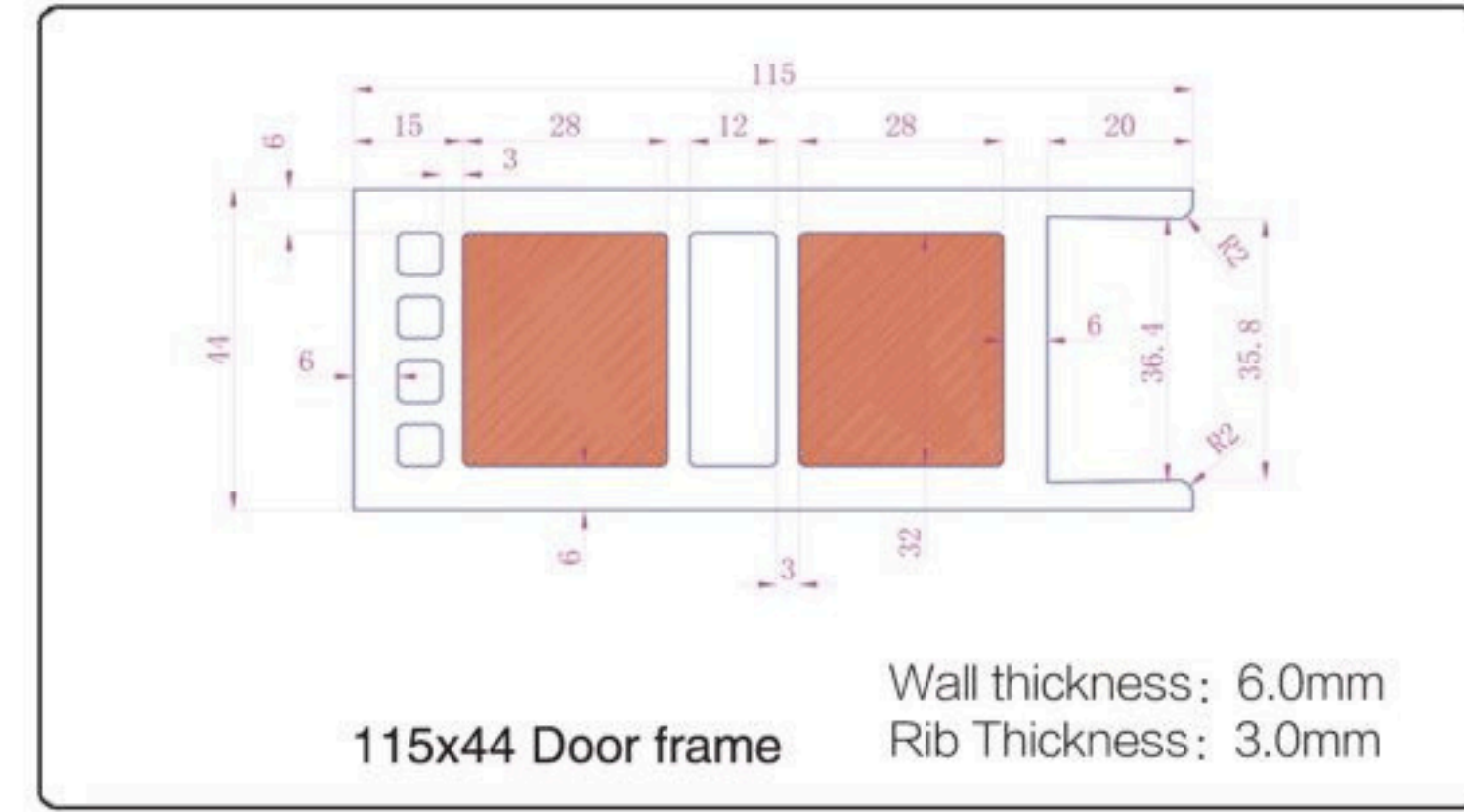
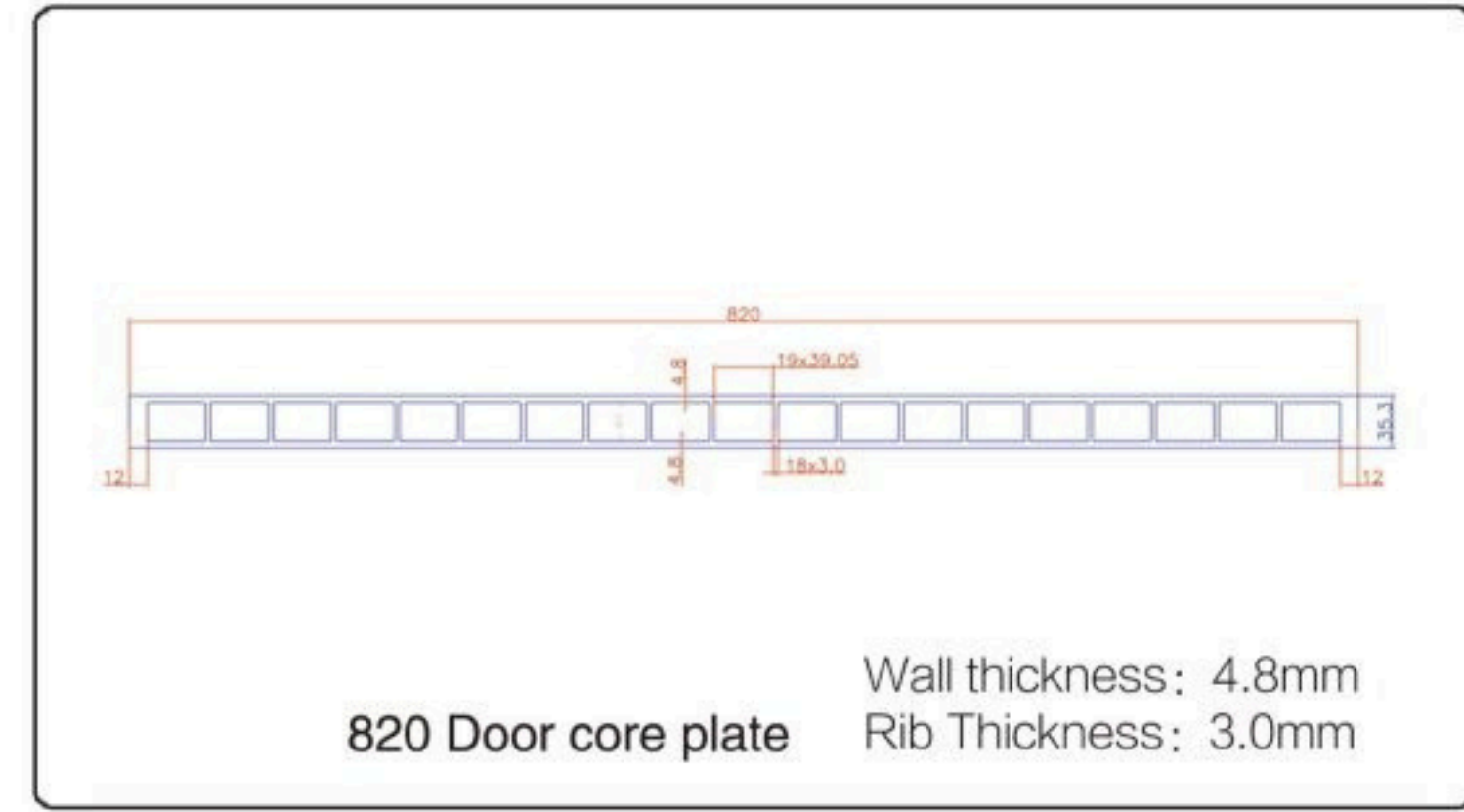
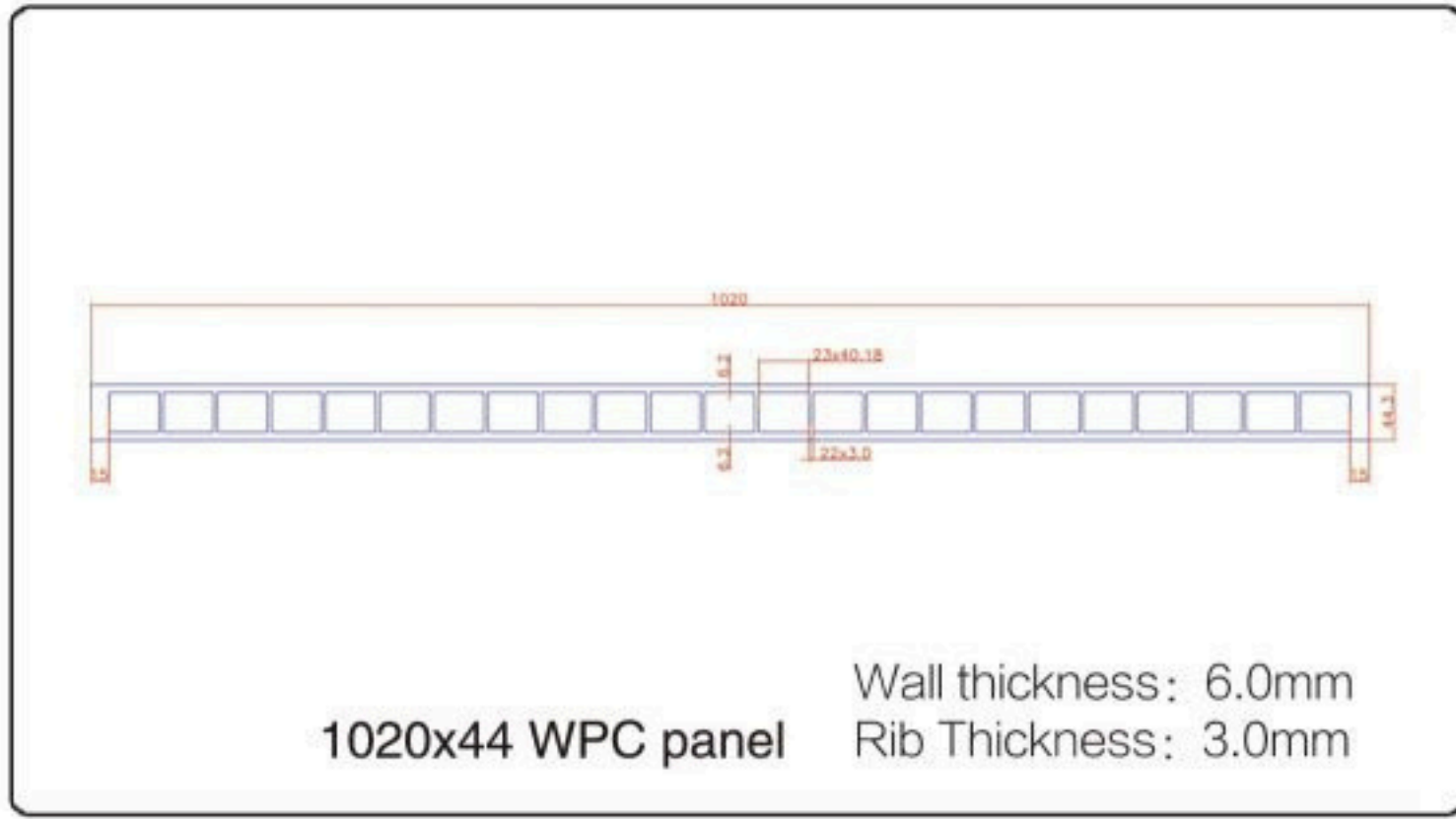
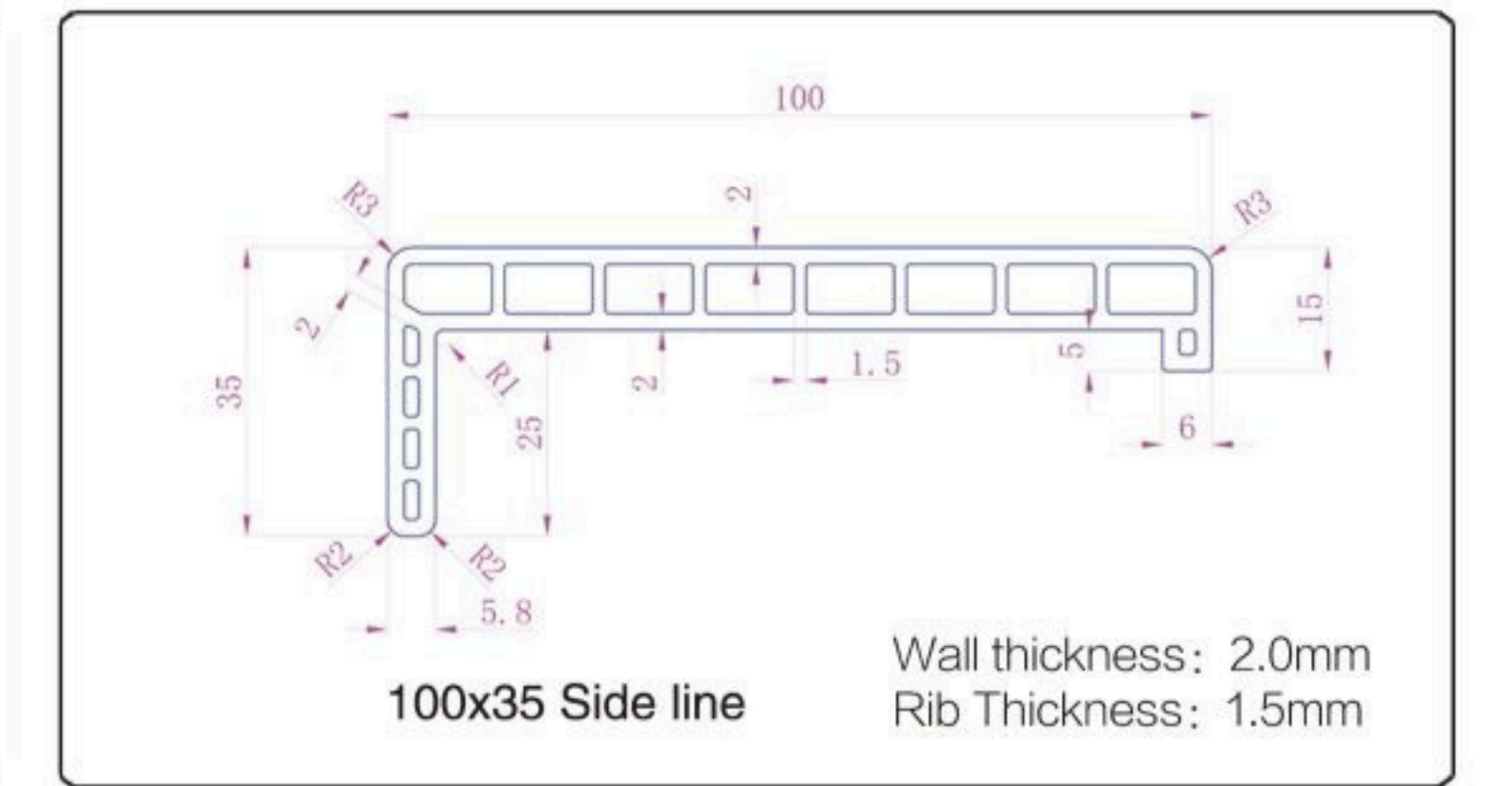
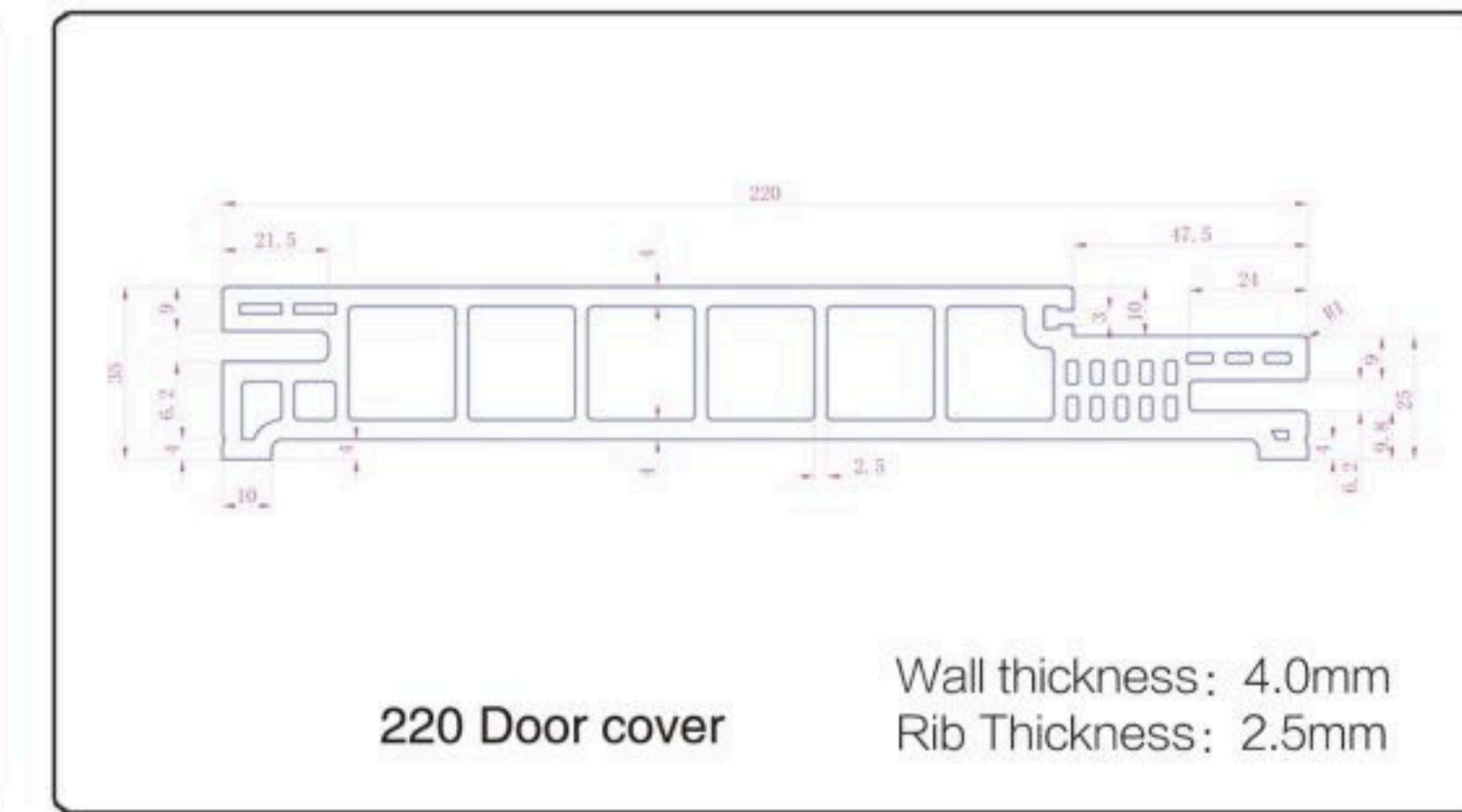
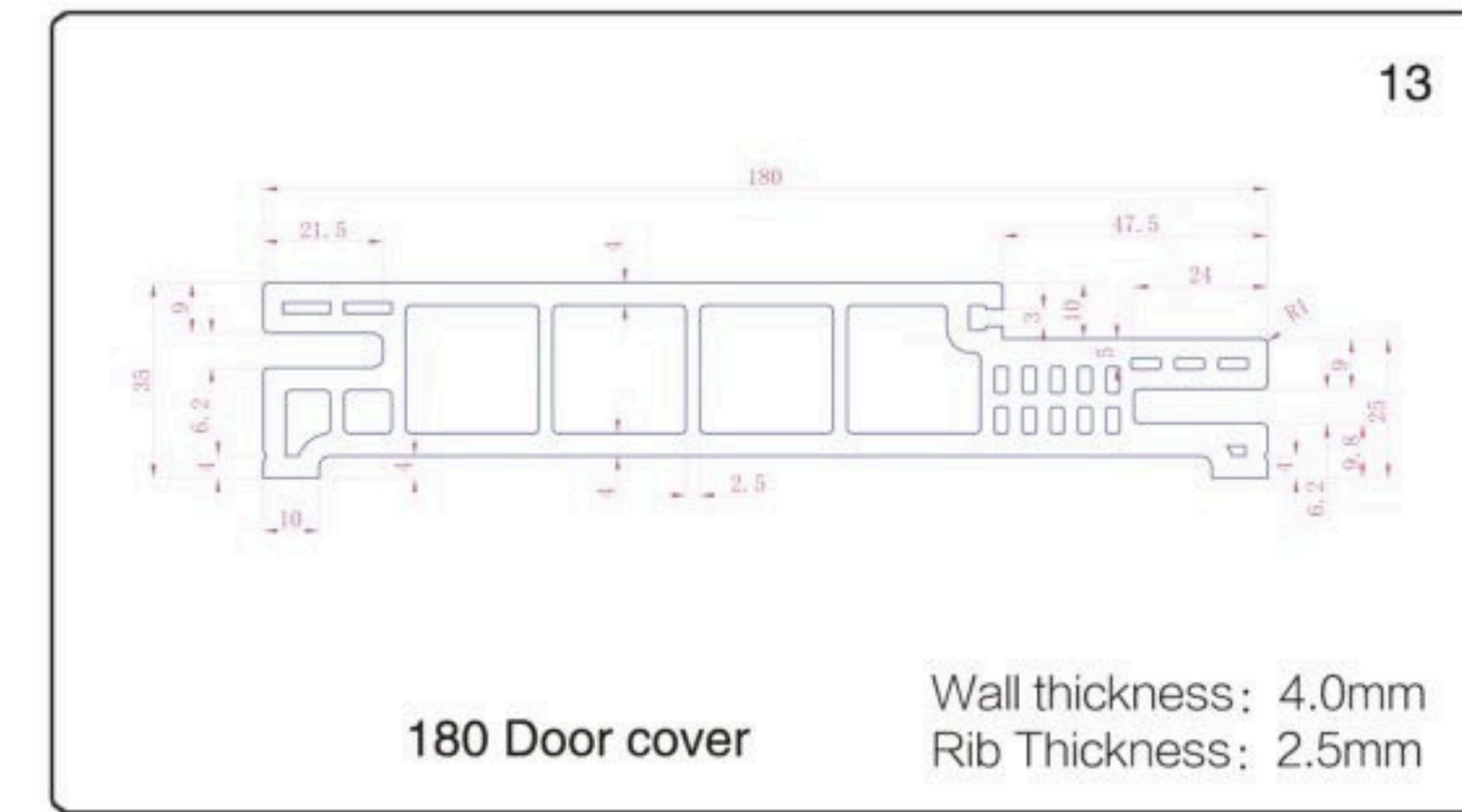
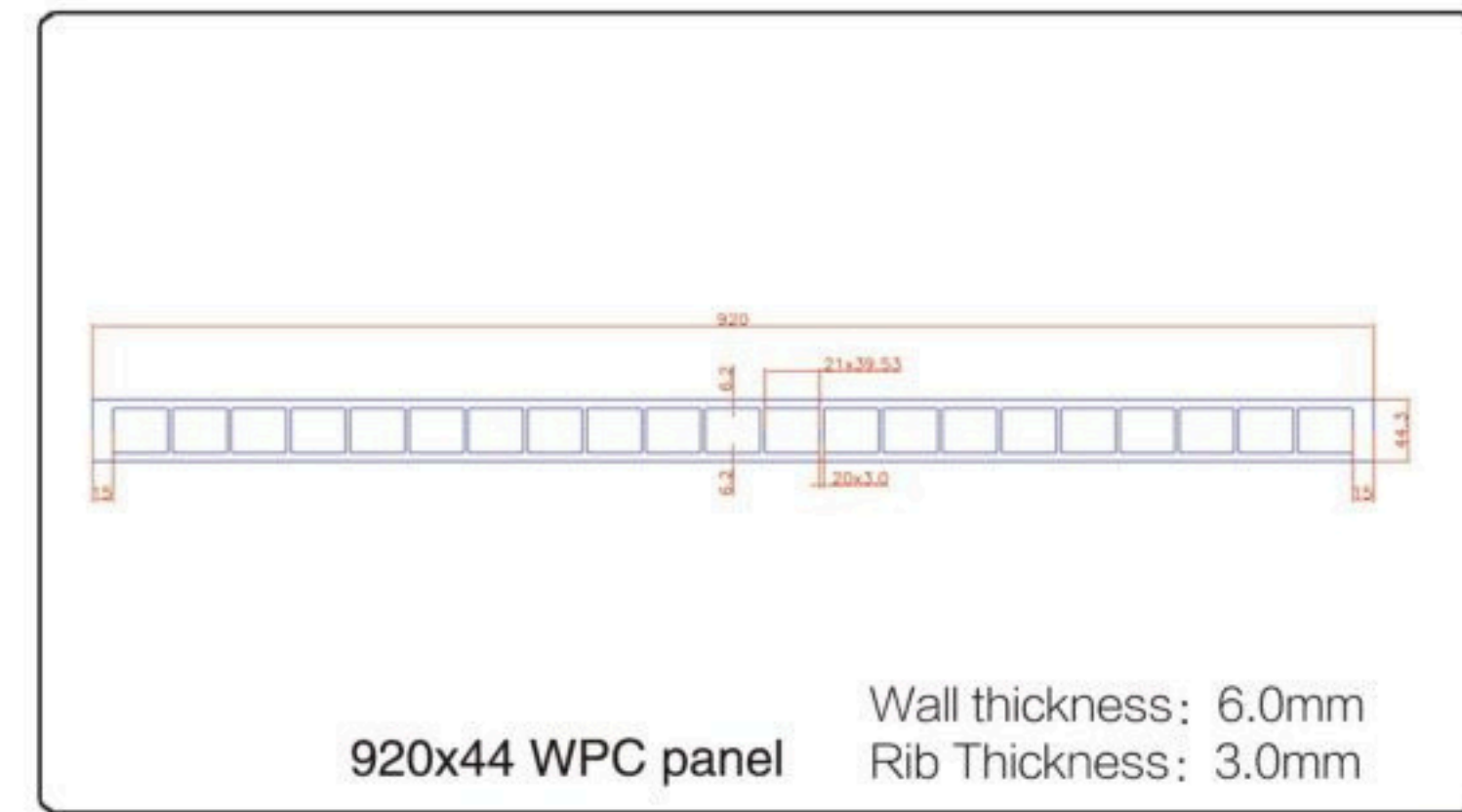
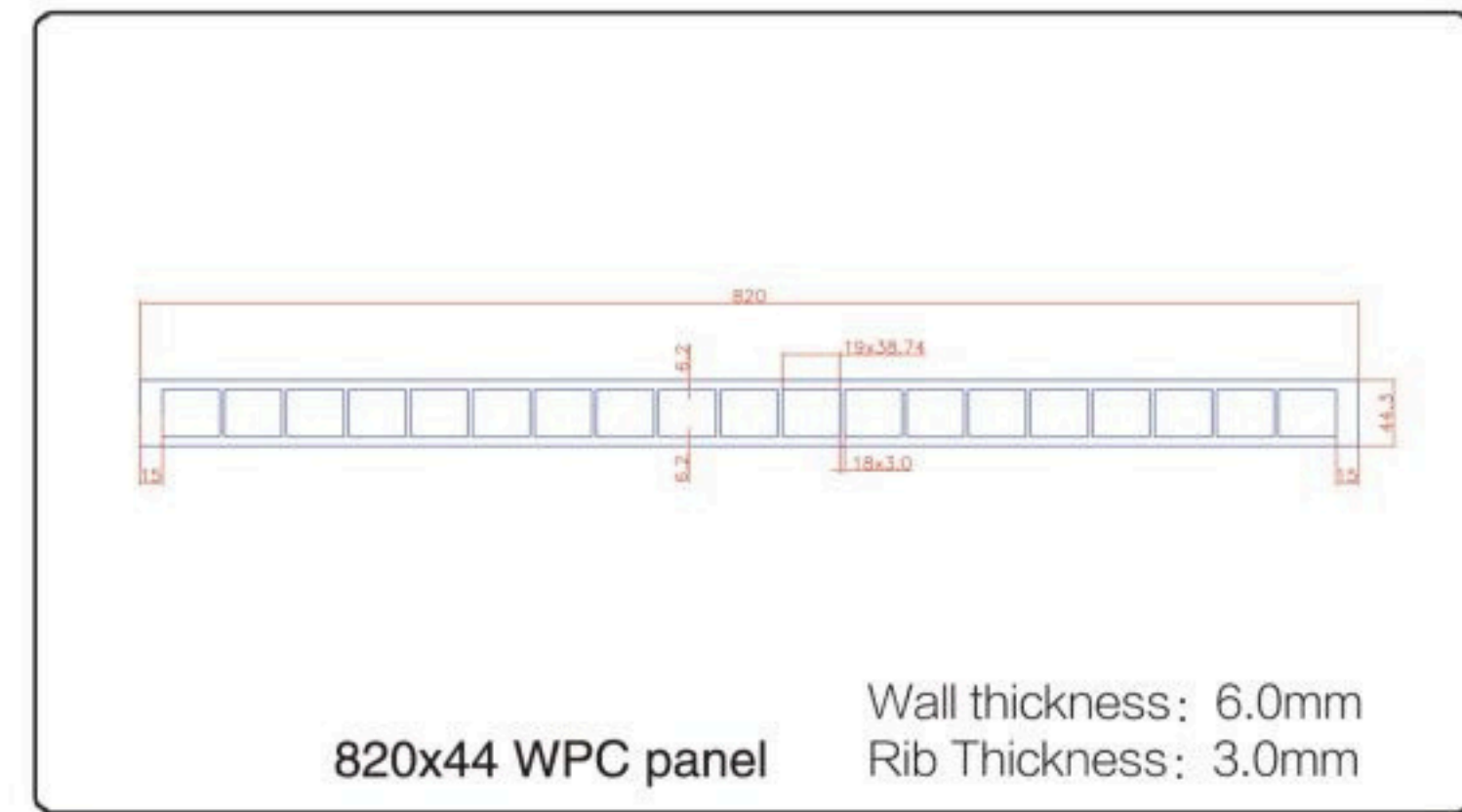
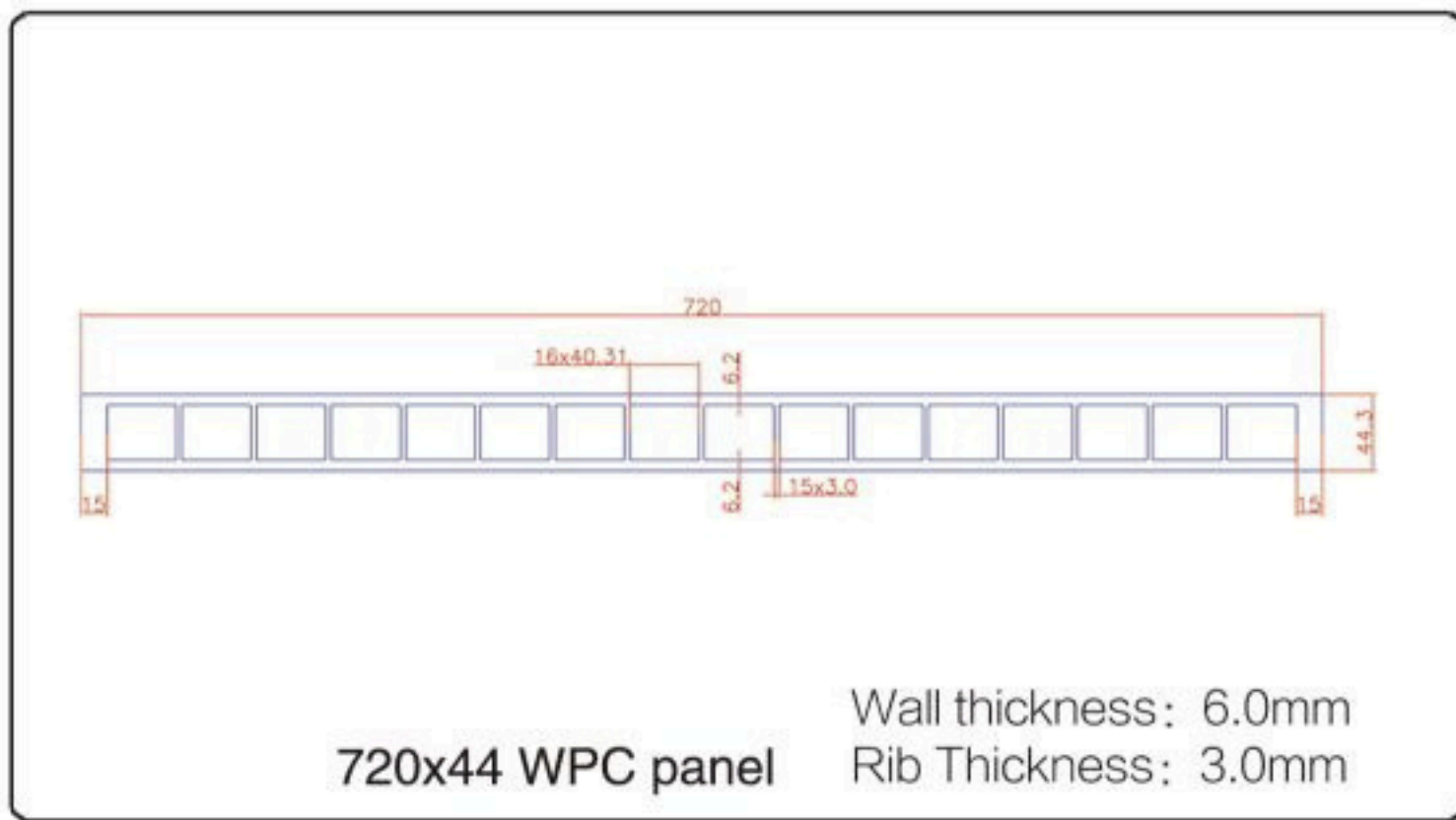
WPC-09

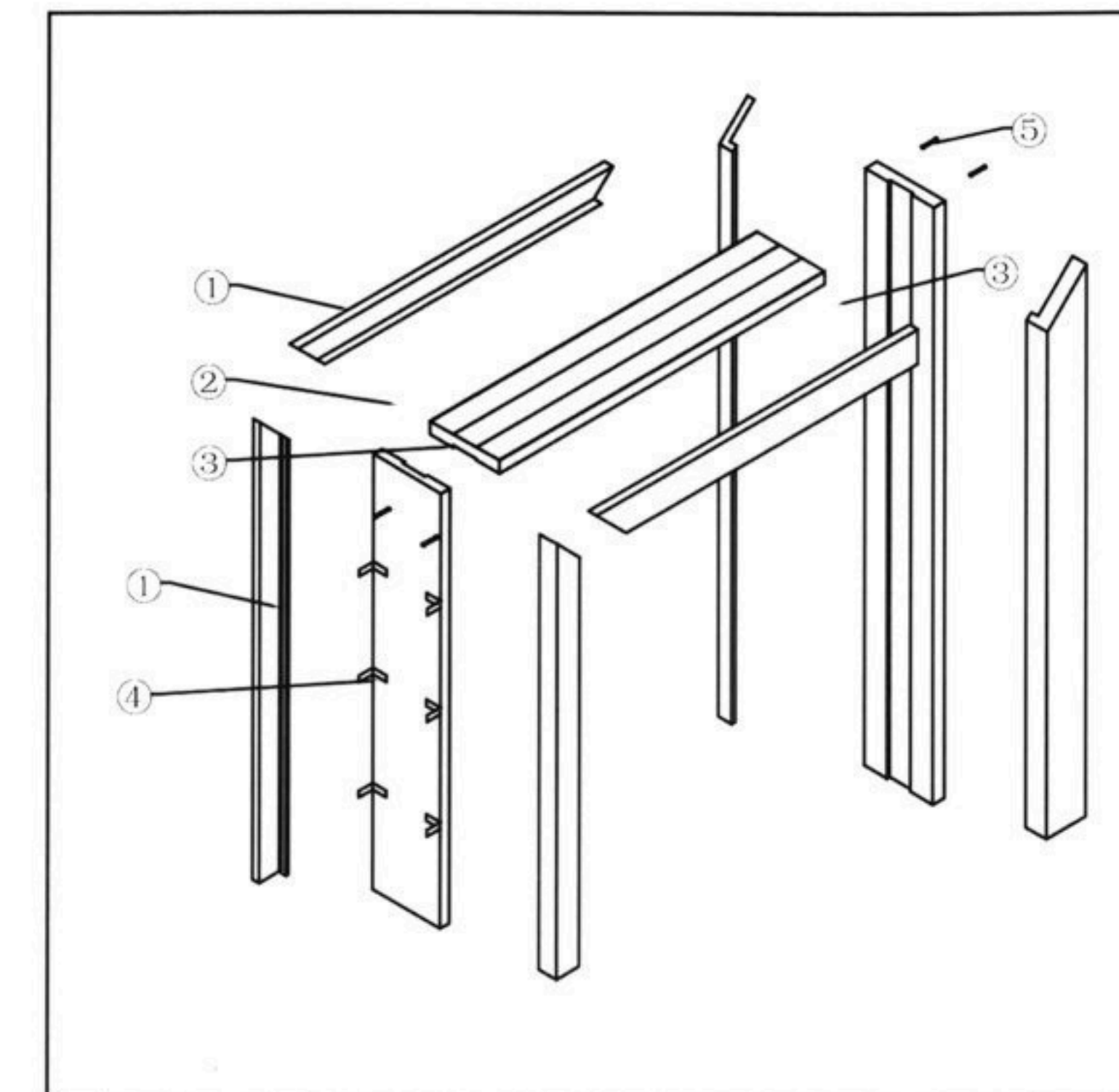
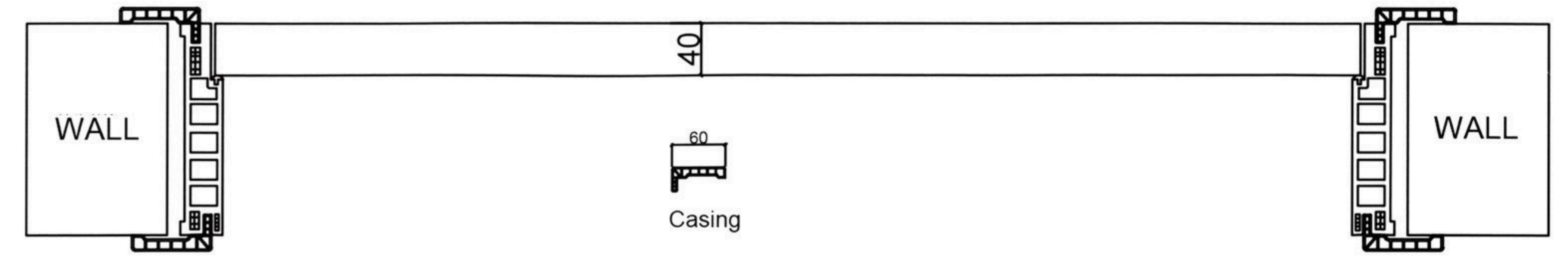
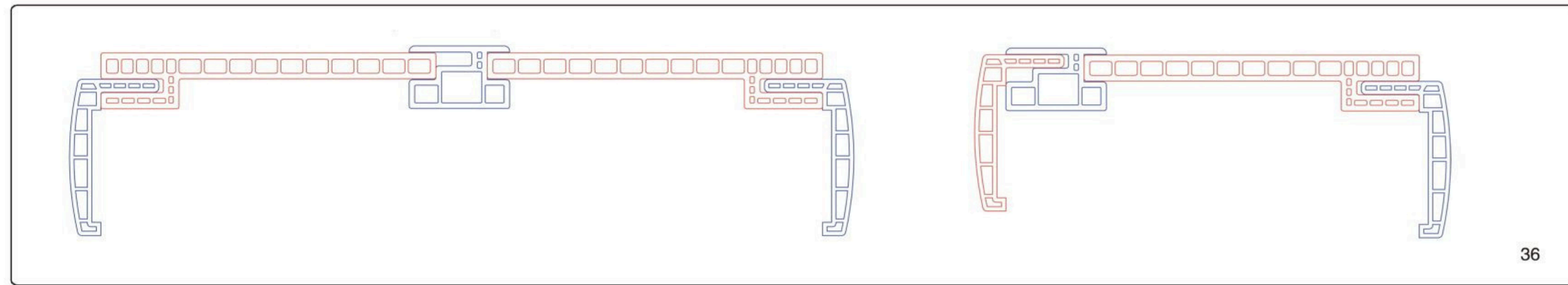
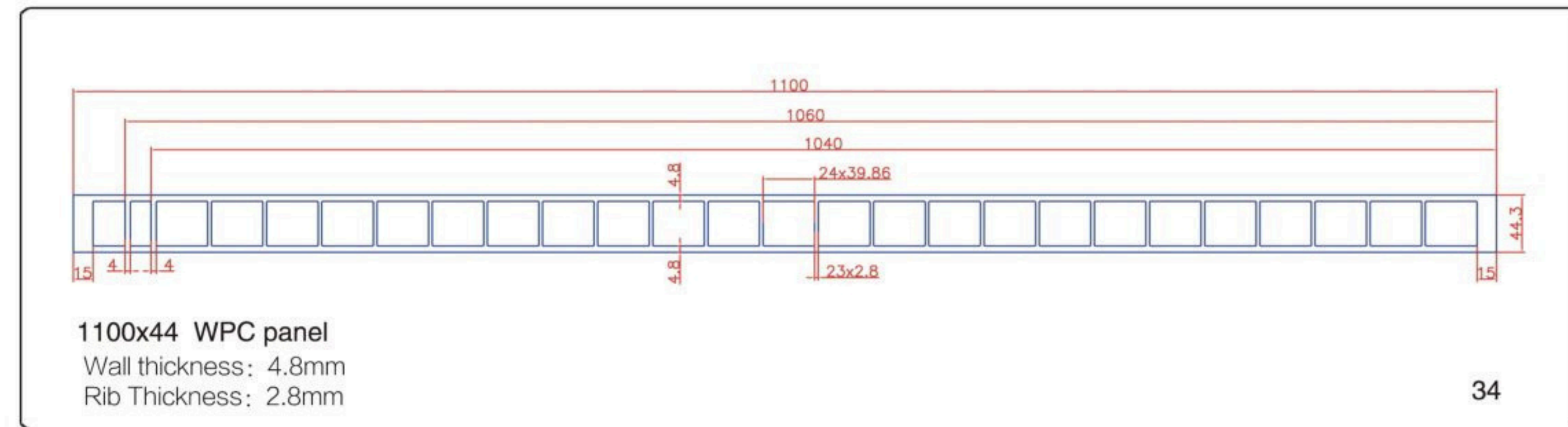
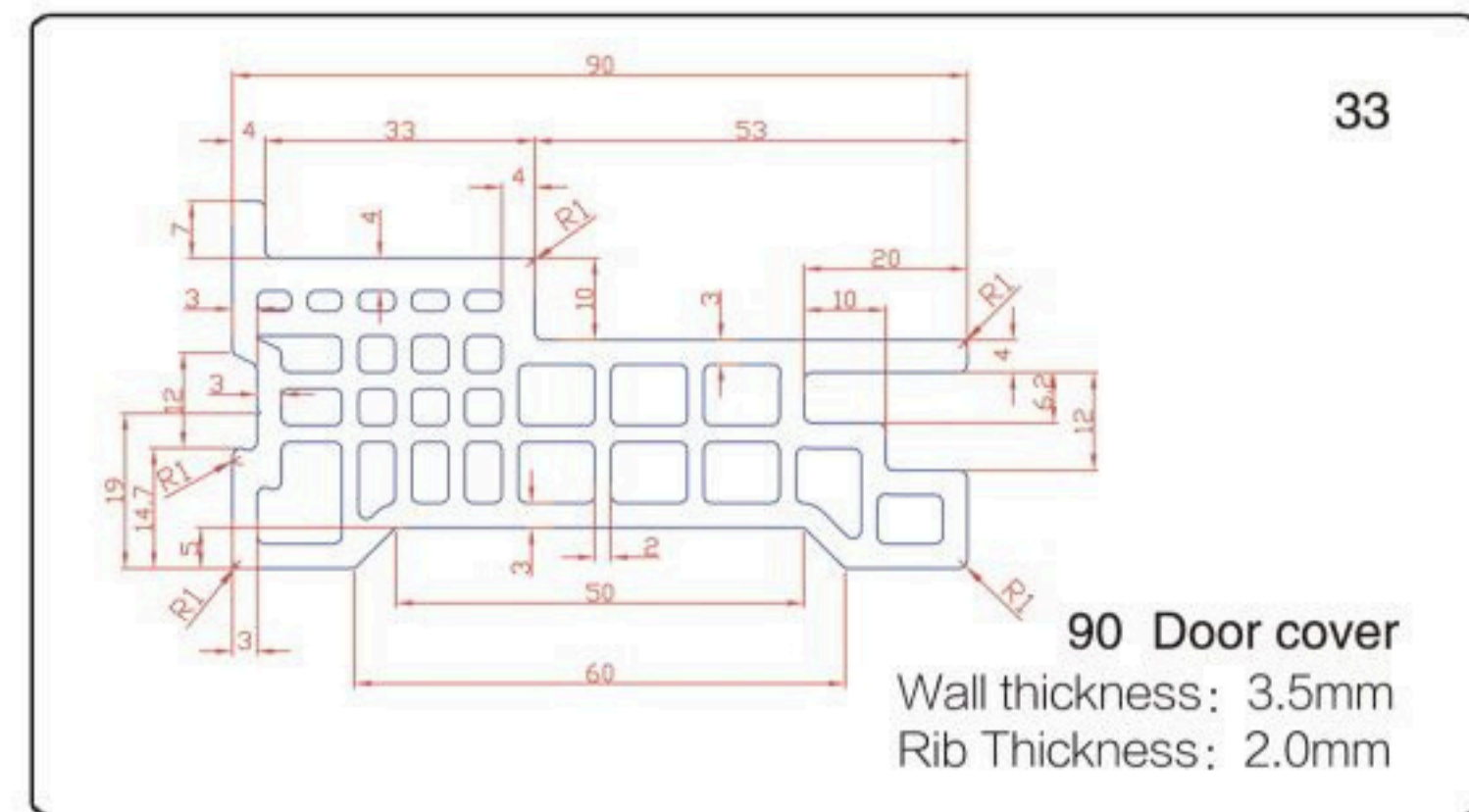
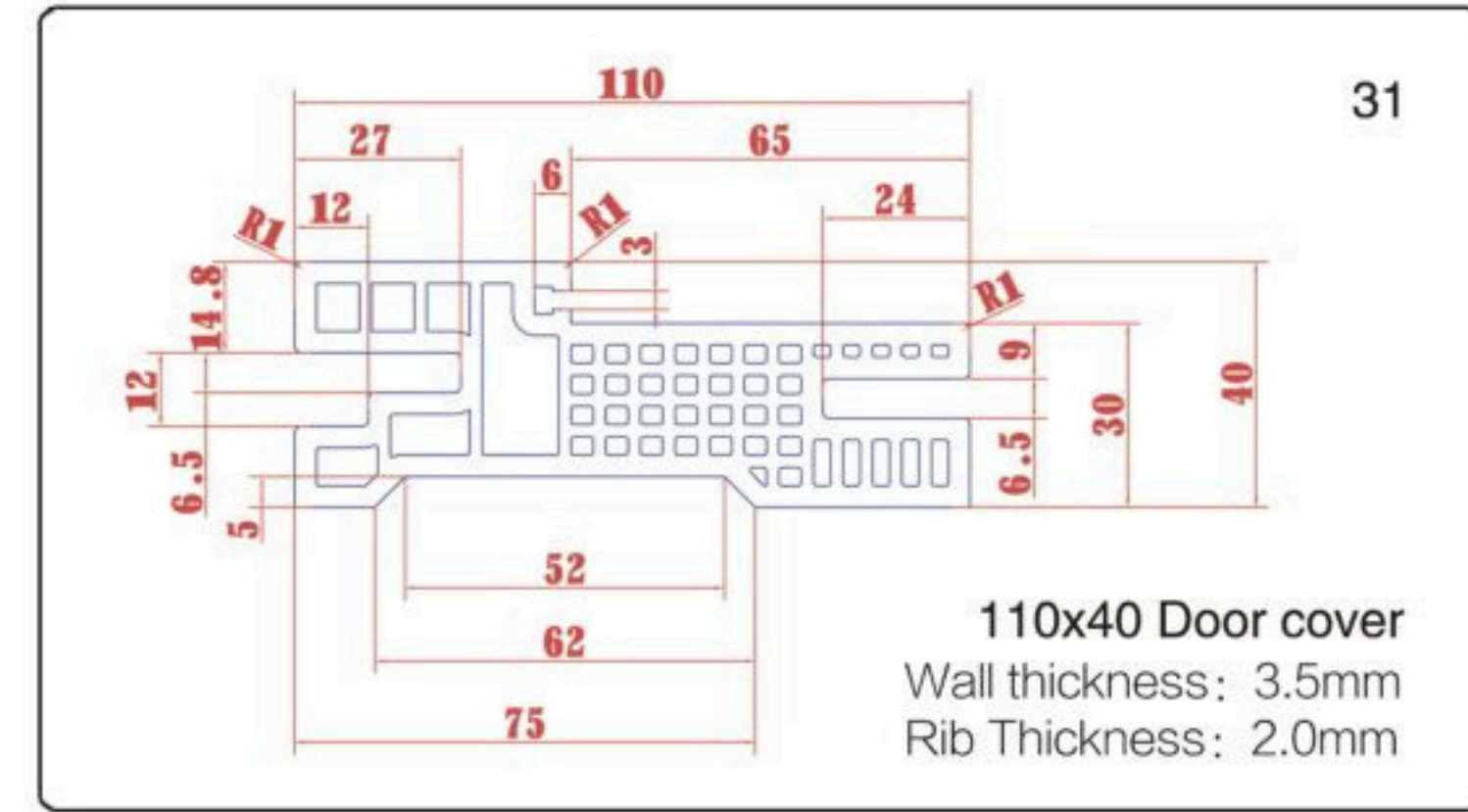
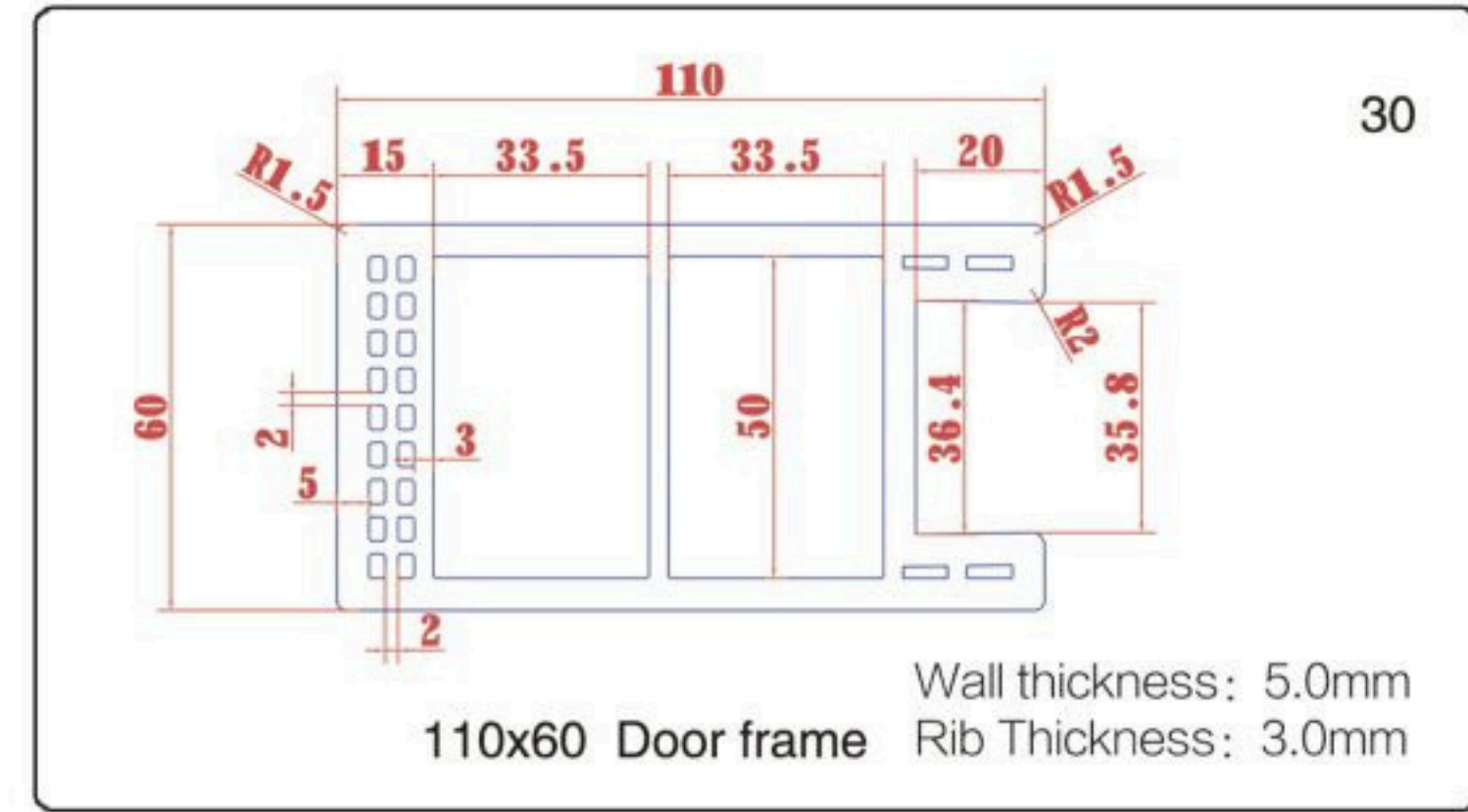
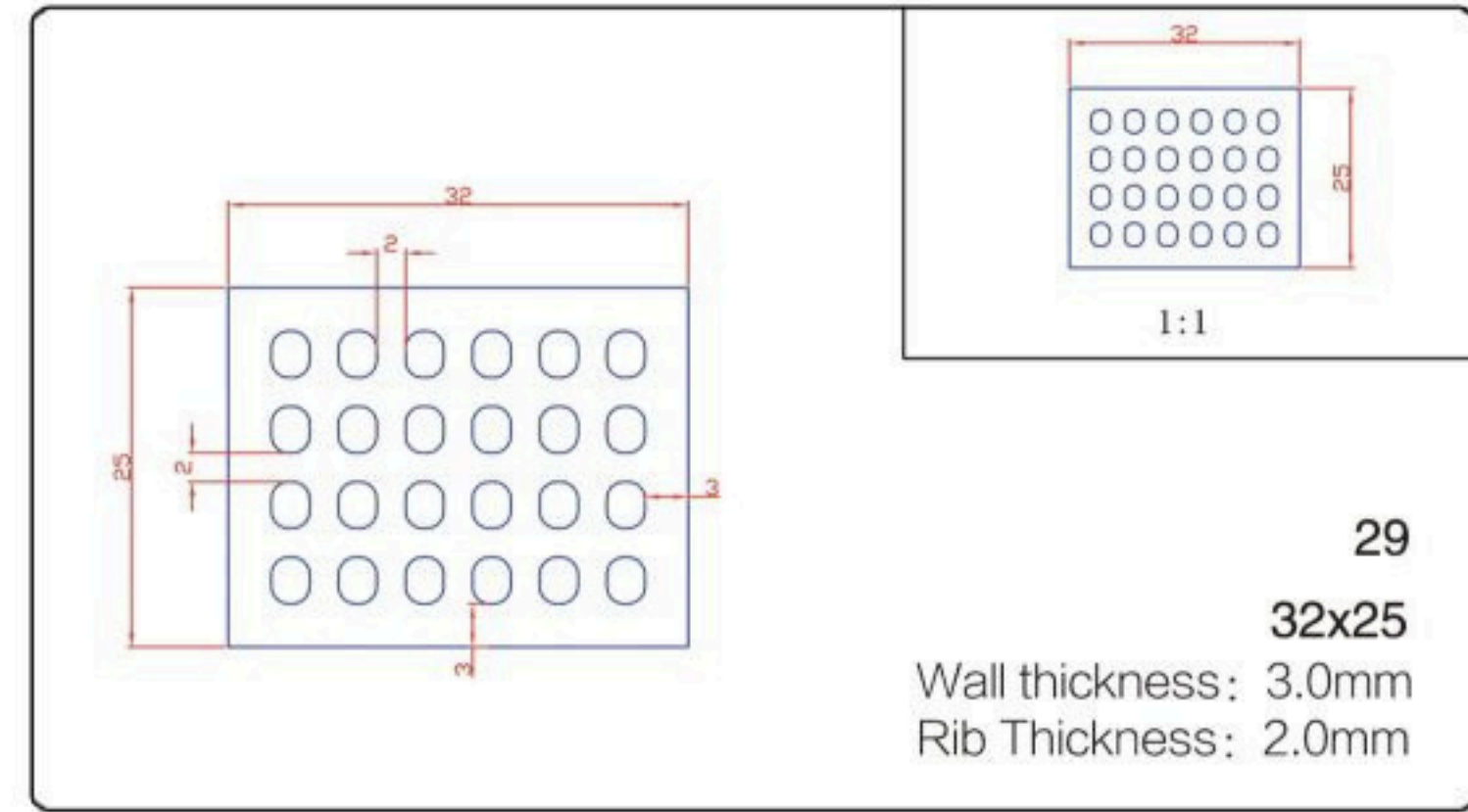
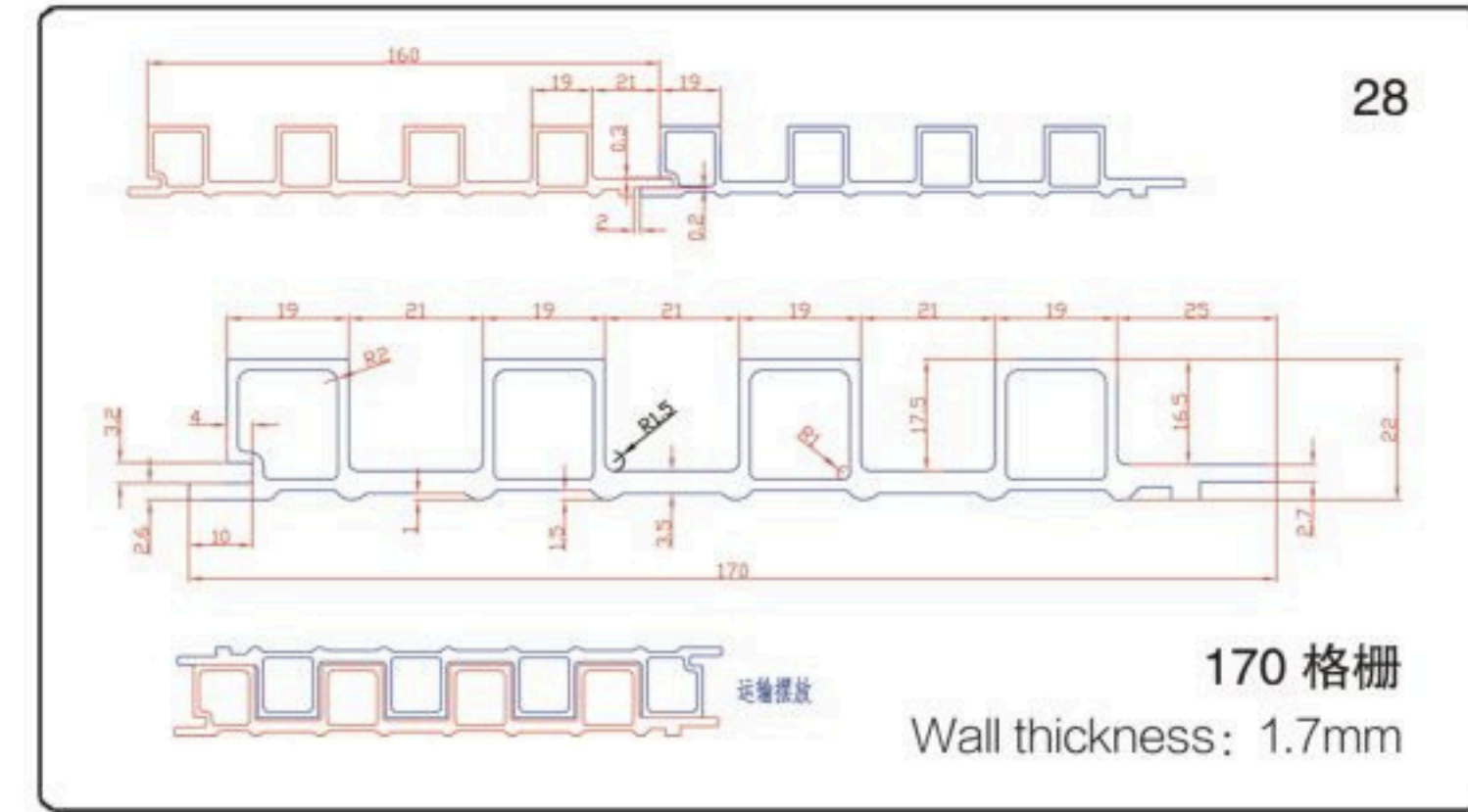
WPC-10

WPC-11

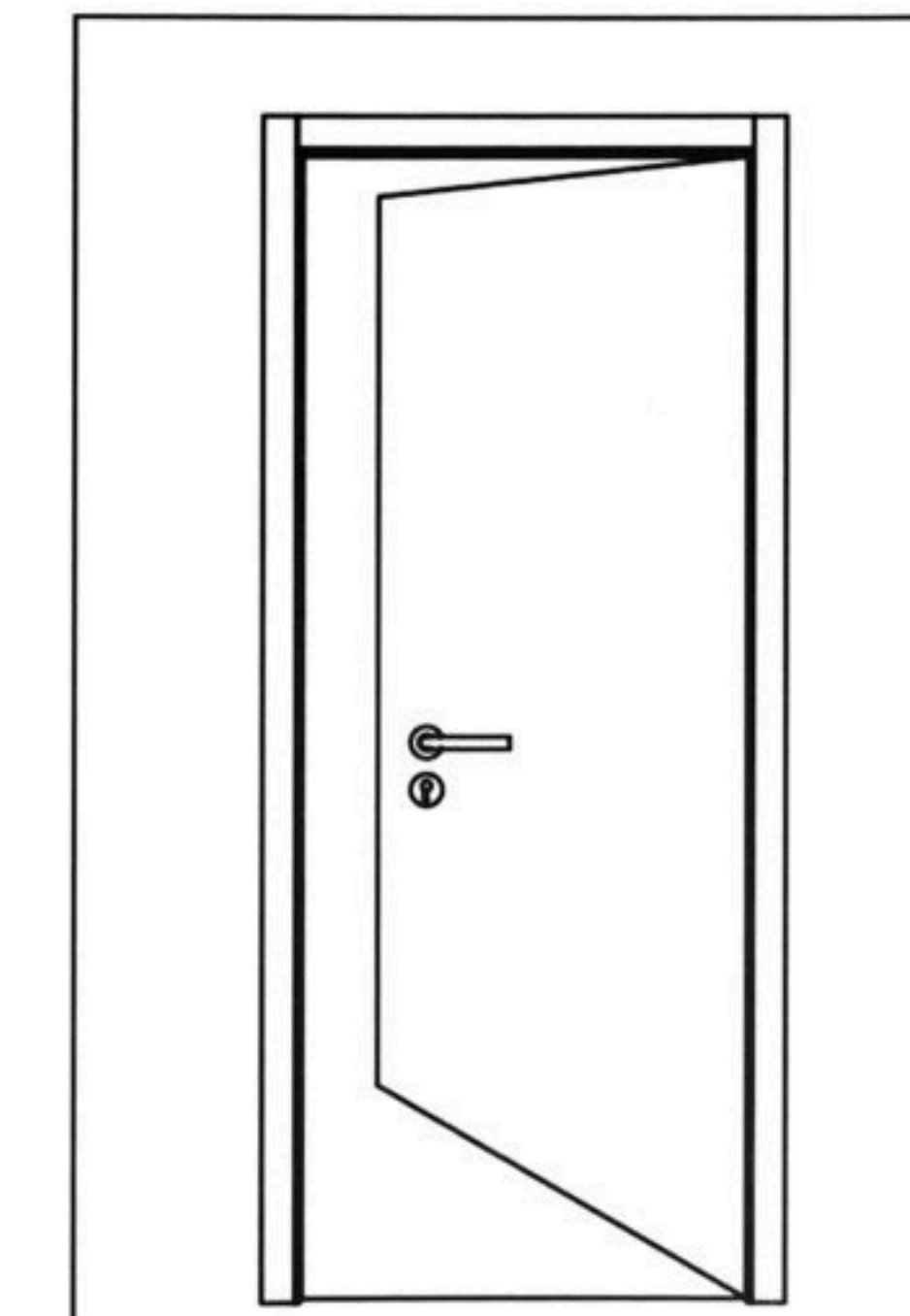
WPC-12



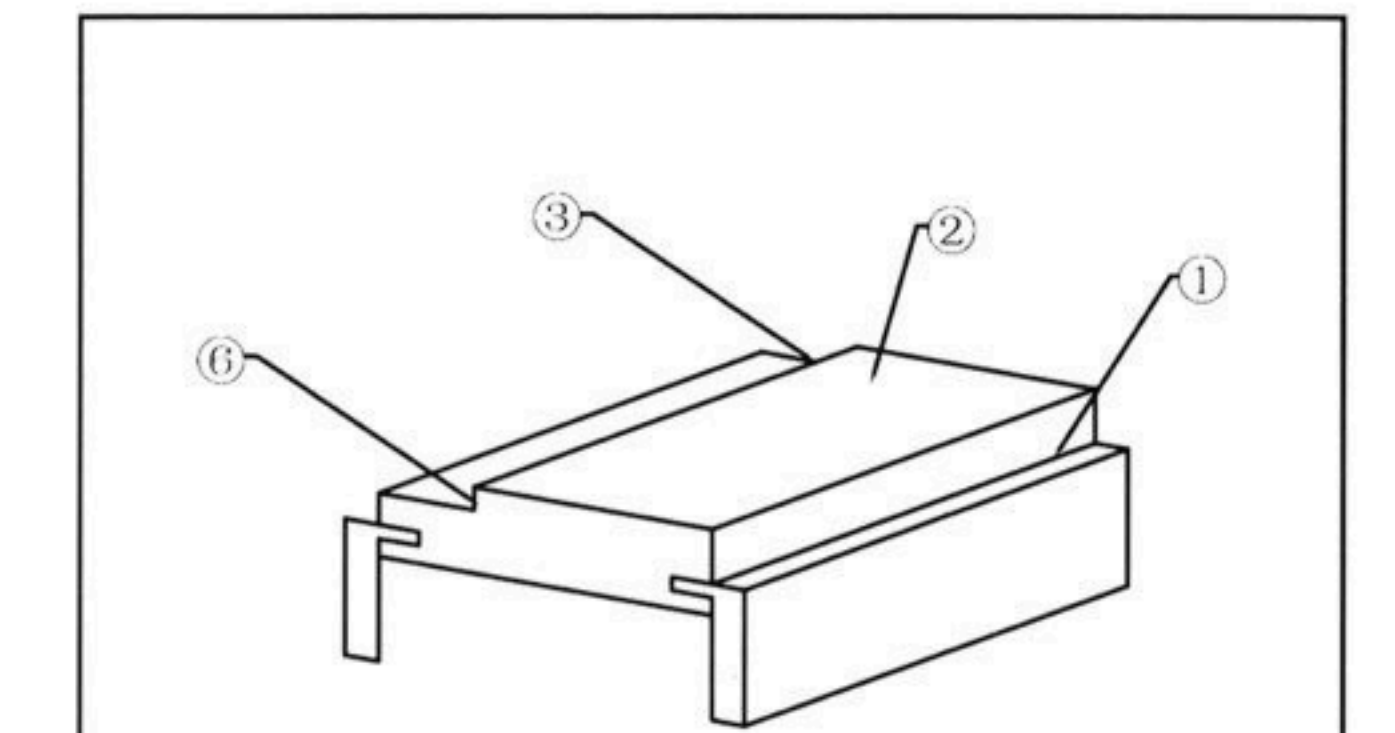




Door&frame installation



Door View



- ① 门套线 Casing
- ② 组合门套板 Frame
- ③ 门档条 Door Stopper
- ④ 木螺钉 Screw 4 × 15
- ⑤ 木螺钉 Screw 4 × 60
- ⑥ 封闭隔音条 Rubber Seal

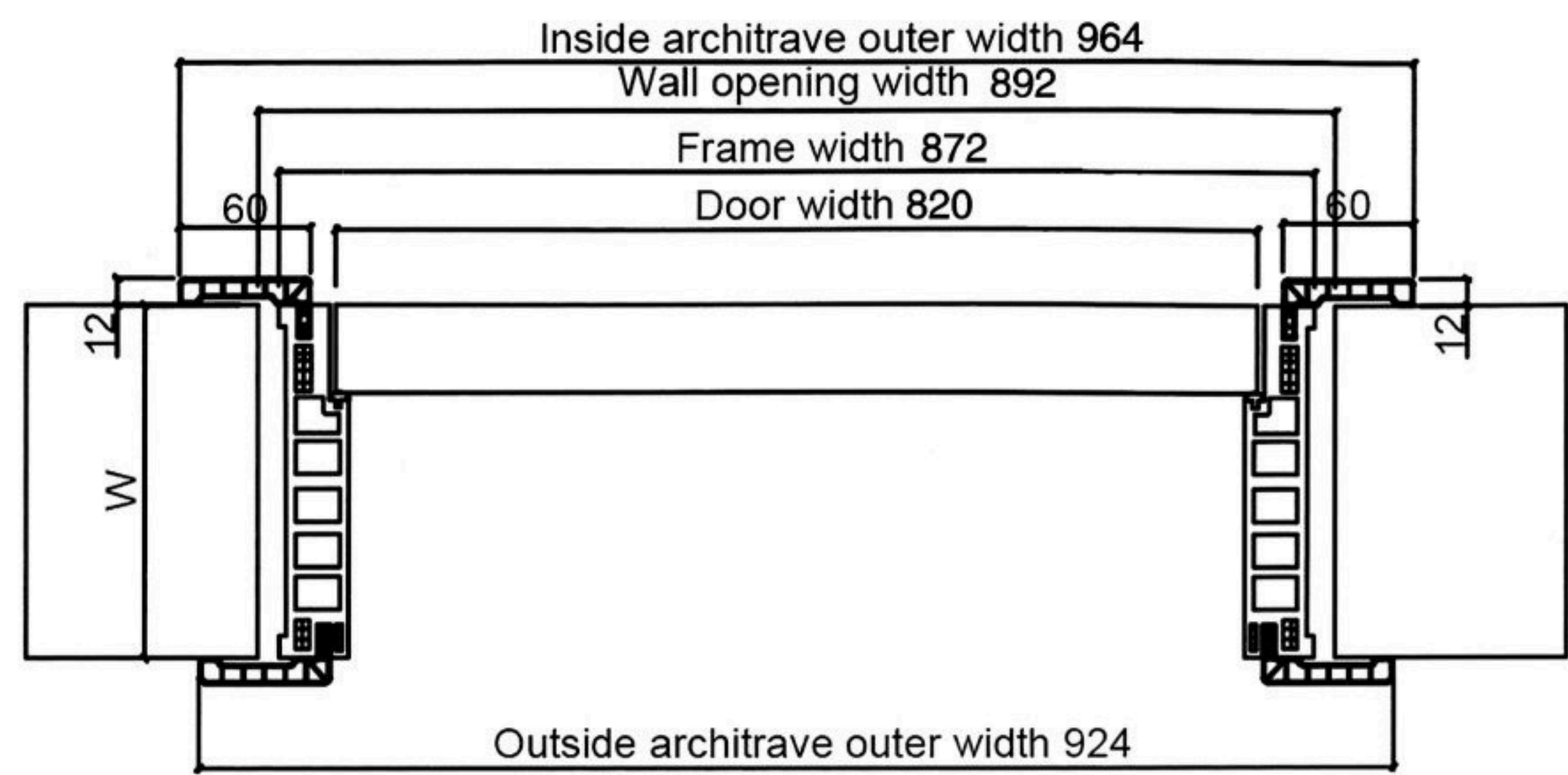
Frame View

Installation Steps

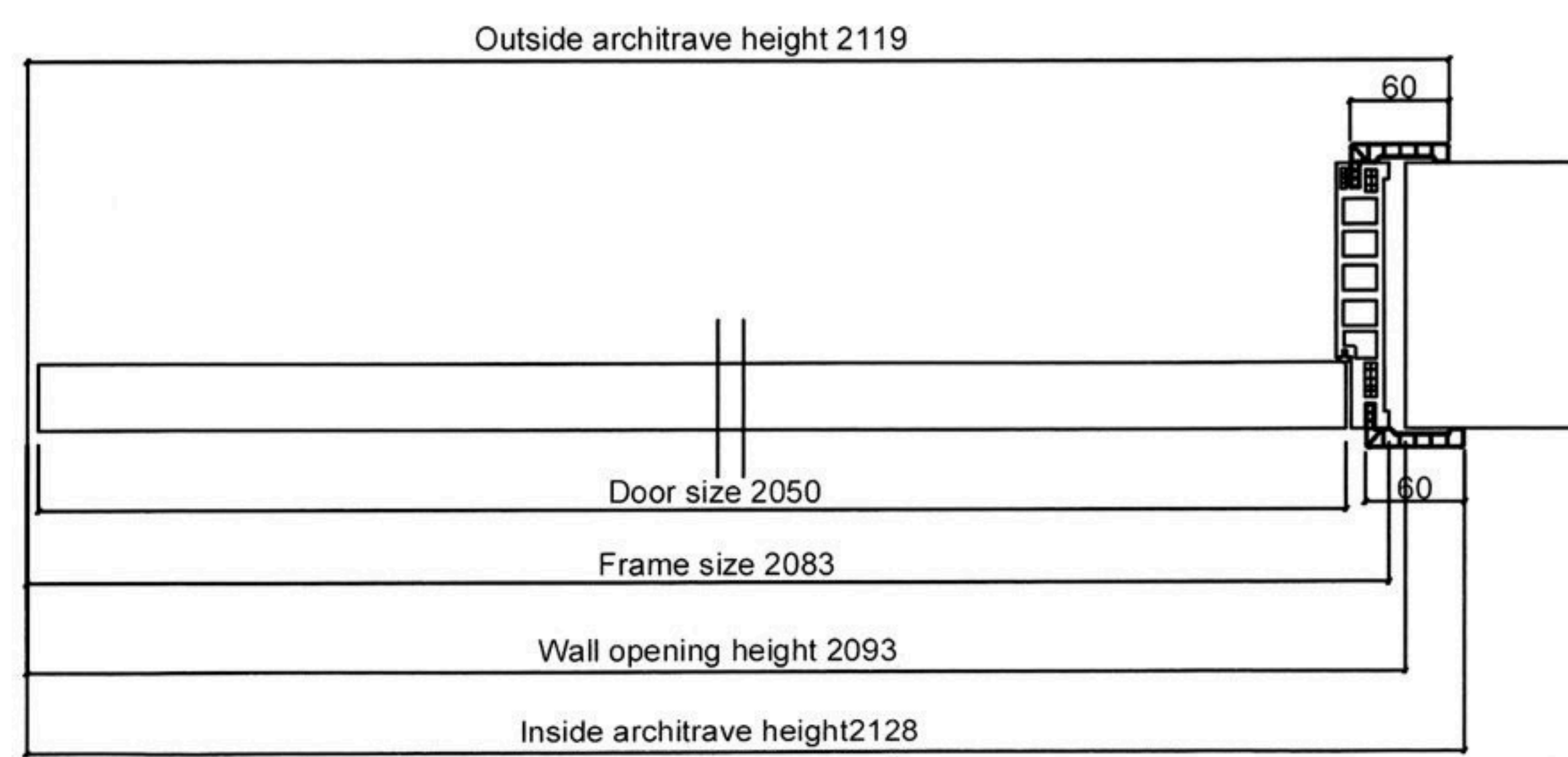
- | | | |
|--|---|--|
| <ol style="list-style-type: none"> 1. Preparation before installation 2. Assemble the door cover 3. Apply foaming agent 4. Install the hinge | <ol style="list-style-type: none"> 5. Install the door lock 6. Adjust the door gap 7. Install the line | <ol style="list-style-type: none"> 8. Install the door stopper 9. Apply the sealant 10. Clean |
|--|---|--|

Optional Lock

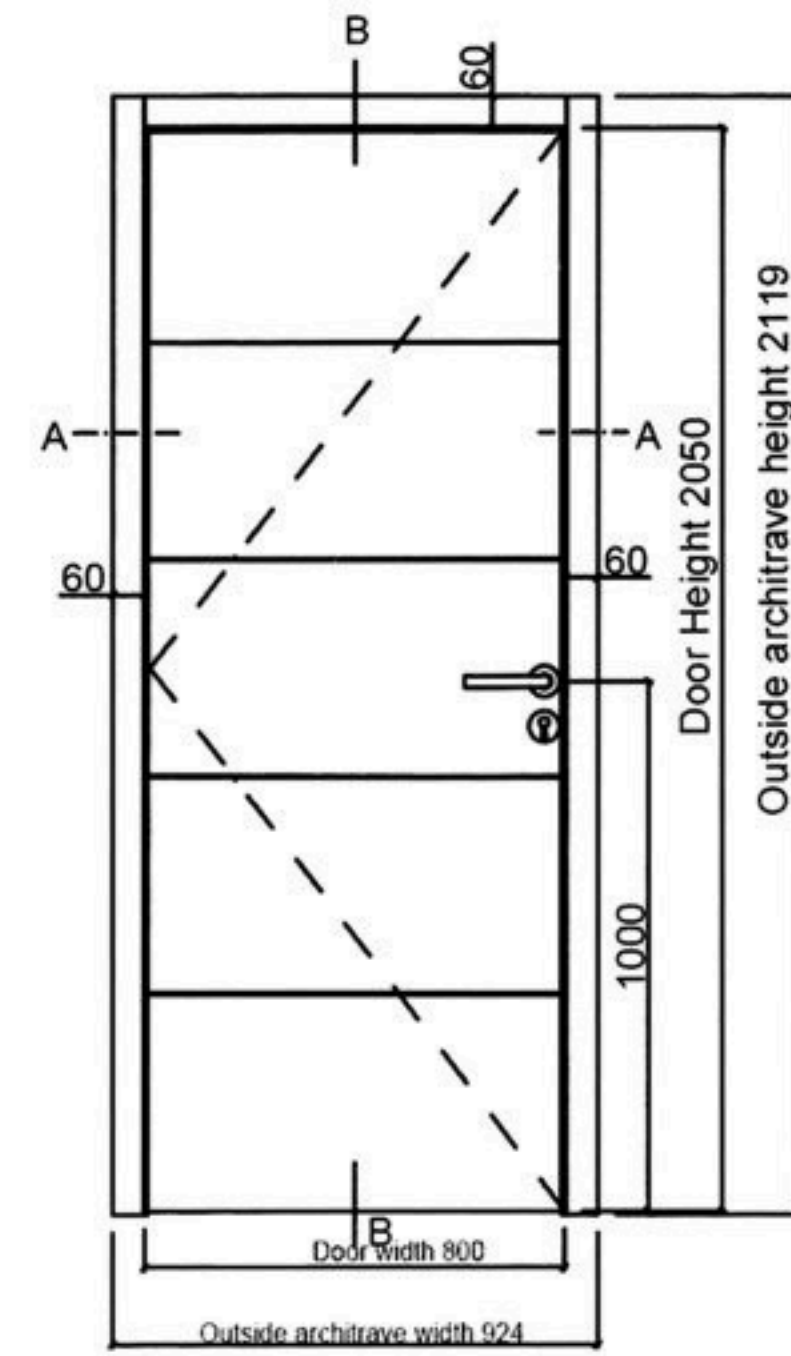
Installation Steps



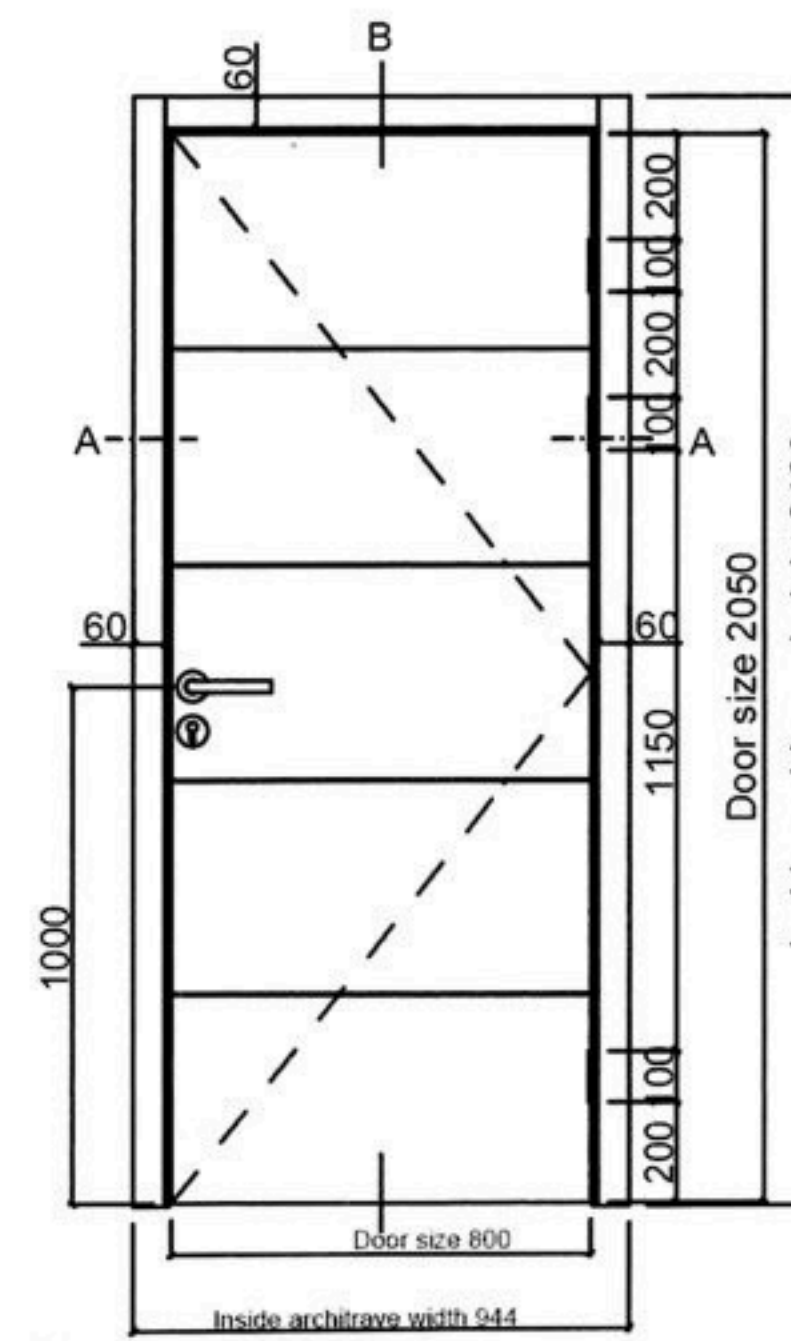
A-A



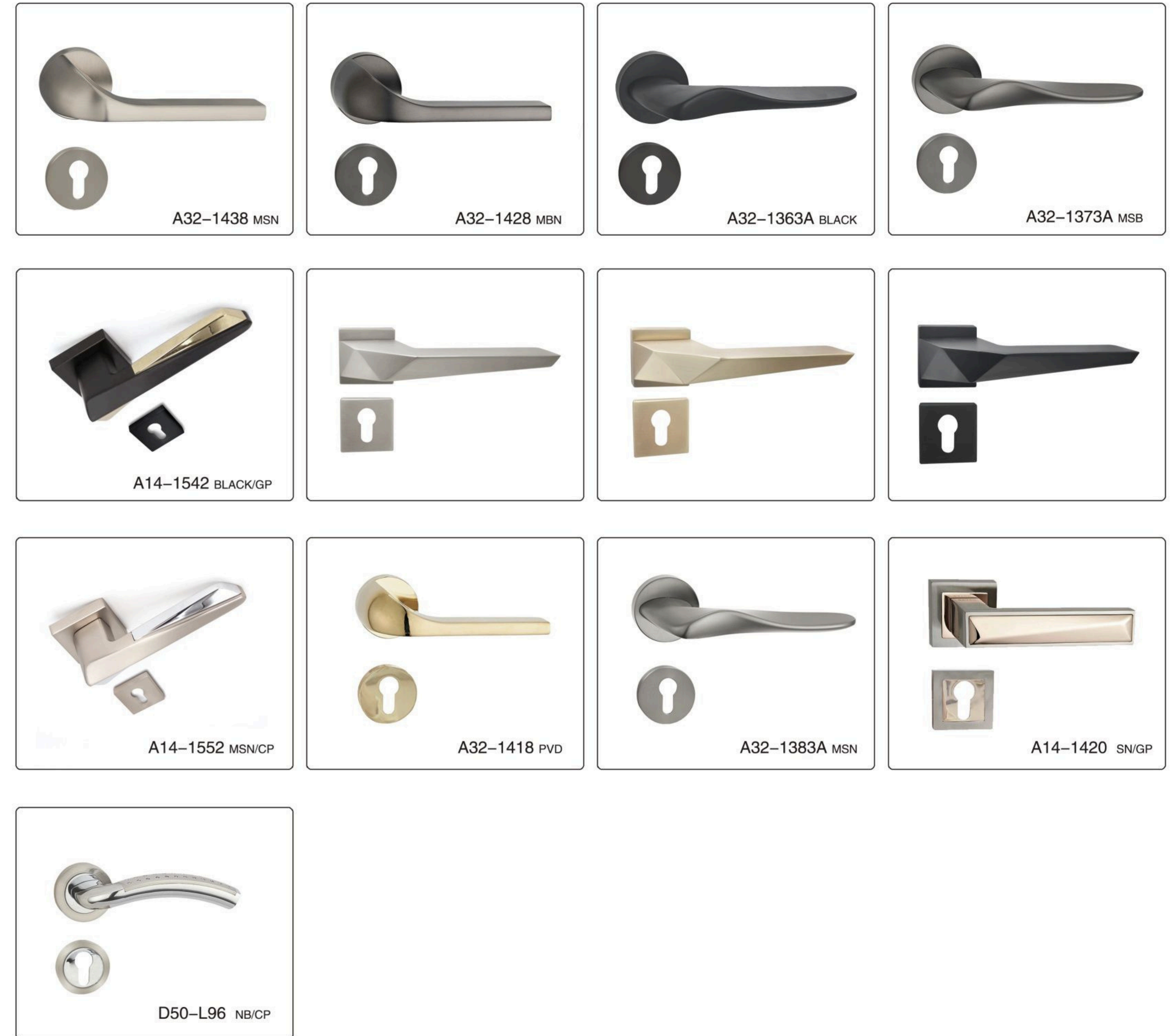
B-B



EXTERNAL VIEW



EXTERNAL VIEW





TARGET SPECIALTIES

📍 NR32 1HB, London Road North
Lowestoft, United Kingdom.

📍 Building Rema Plaza, Office No.1
Al Jurf 3 Ajman UAE

☎ +971 502307822 ✉ info@targetspecialties.com

LEARN MORE AT:
www.targetspecialties.com

